

## KK\*S-\*F, S-Couplers, Female Thread

### KK2S-M5F

Datasheet

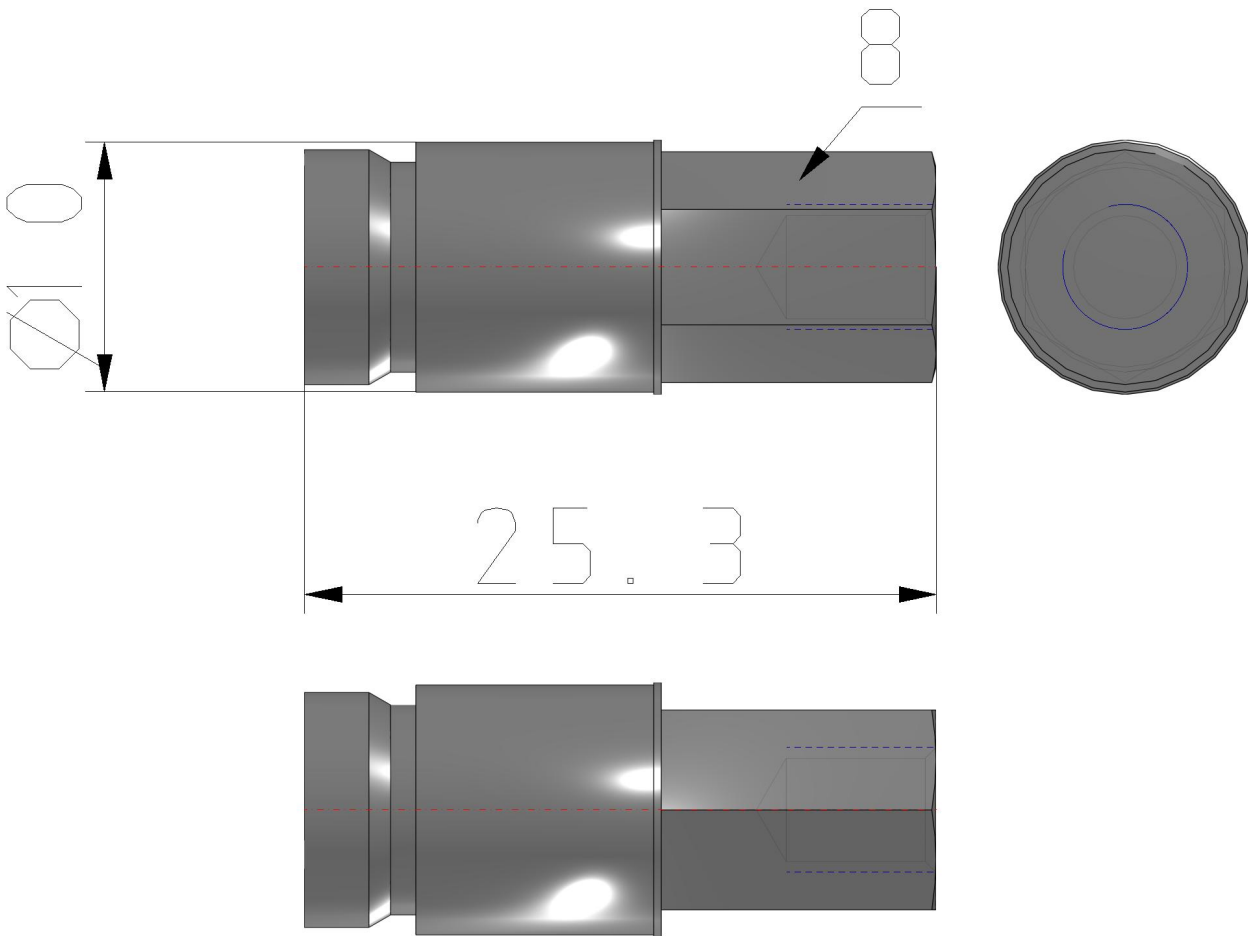
### General series information

- Female Thread.
- Body size: M5, 1/8, 1/4, 1/2.
- Applicable Port Size: M5, Rc1/8, Rc1/4, Rc3/8, Rc1/2.

### Standard specifications

Body Size	2 (M5)
Piping Port Size	M5x0.8
Pressure medium	Air, Water
Maximum operating pressure	1.0 MPa
Minimum operating pressure	-100 kPa
Proof pressure	1.5 MPa
Maximum ambient temperature	60 °C / 40 °C for Water
Minimum ambient temperature	-5 °C (with no freezing) / 5 °C for Water
Effective Area	3.8 mm <sup>2</sup>
Sealing principle	Electroless nickel plated (copper-free application), With male thread sealant
Weight	0.006 Kg

## Dimensions



## Additional information

Catalogue

[KK-C\\_EU.pdf](#)