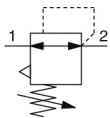


AR10-40-A, Modular Style Regulator AR10-M5H-A

Datasheet

General series information

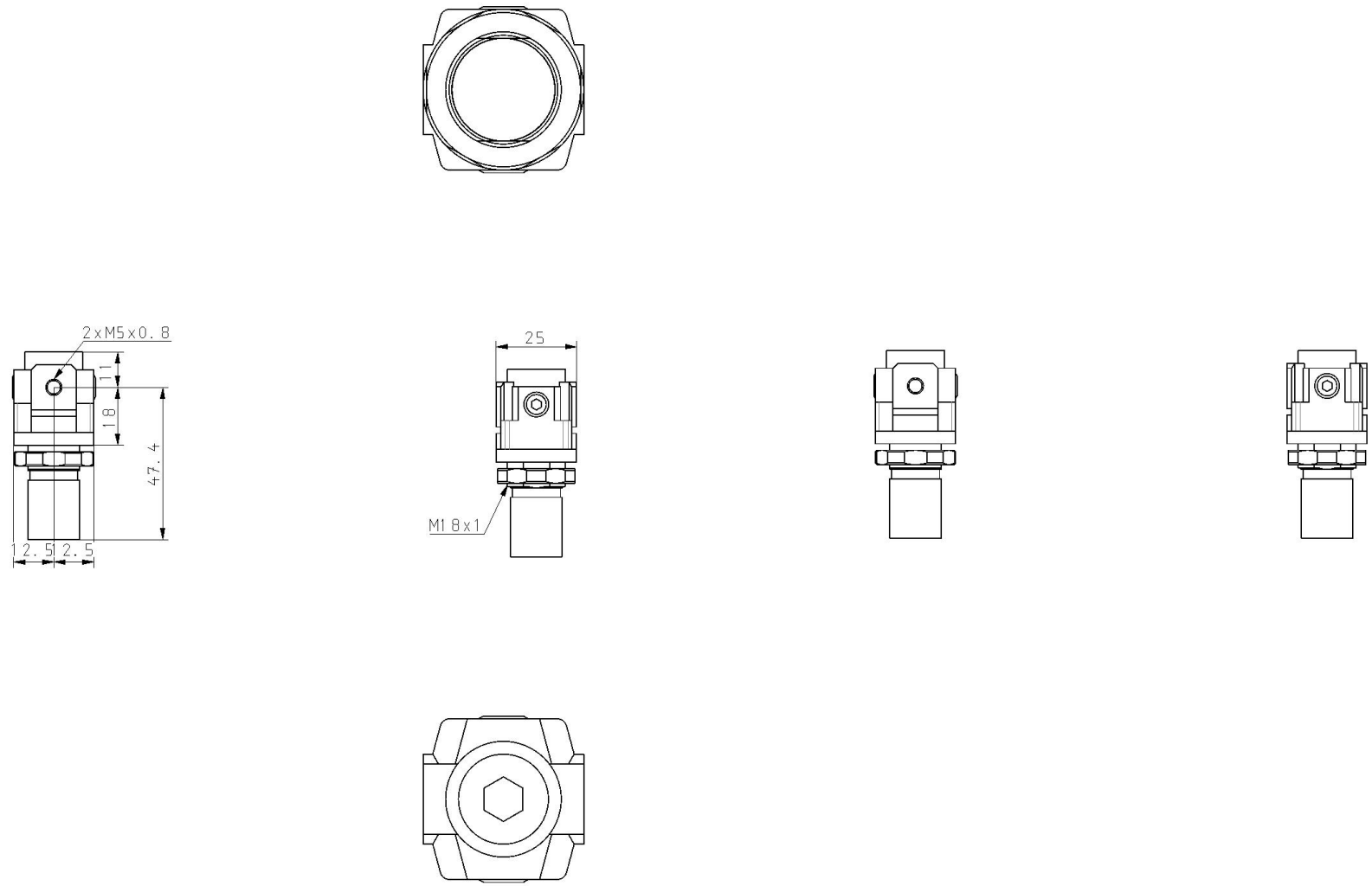


Pressure control valve, relieving pressure regulator, adjustable

Standard specifications

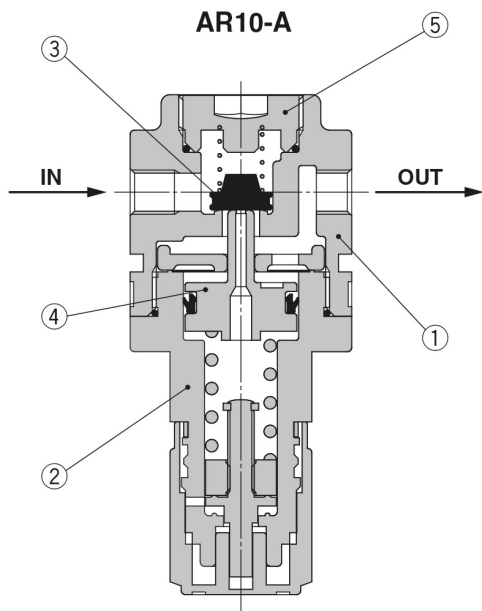
Size	10
Thread	Rc or Metric
Port Size	M5 (M5 x 0.8)
Accessory	H (Panel Mount w/Set Nut)
Set pressure	0.05 to 0.7 MPa setting
Exhaust mechanism/Flow direction/Knob	None
Pressure Unit	Name Plate and Pressure Gauge: MPa
Made to Order	None
Pressure medium	Air
Maximum temperature of pressure medium	60 °C
Minimum temperature of pressure medium	-5 °C [with no freezing]
Maximum operating pressure	1.0 MPa
Proof pressure	1.5 MPa
Maximum ambient temperature	60 °C
Minimum ambient temperature	-5 °C [with no freezing]
Approvals	No need
Weight	0.064 Kg

Dimensions



Constructions

Construction



Component Parts

No.	Description	Material	Model	Colour
1	Body	Zinc die-cast	AR10-A	White
		Aluminum die-cast	AR20-A to AR40-A	
2	Bonnet	Polyacetal	AR10-A to AR40-A	White

Replacement Parts

No.	Description	Material	Part no.
			AR10-A
3	Valve assembly	Stainless steel, HNBR	AR10P-090S
4	Diaphragm assembly	Weatherable NBR	AR10P-150AS ^{Note)}
5	Valve guide assembly	Polyacetal	131329

Note) The AR10-A is a piston type. Assembly of a piston and a seal (KSYP-13).

Additional information

Catalogue	AC-A-D_EU.pdf
Installation manuals	IM_AR-A_TF2Z393EN.pdf
Operation manuals	OM_AR-A_OMQ0005EN.pdf