

C(D)JP2, Pin Cylinder, Double Acting, Single Rod CJP2B6-25D

Datasheet

General series information

- The body material has been changed from brass to aluminium, achieving impressive weight reduction.
- The overall length of the cylinder has been reduced resulting in an extremely compact cylinder.
- Solid state auto-switches can also be mounted now.
- Longer stroke options are now available.
- Internal rubber bumpers provide quieter operation and longer life (up to 5 million cycles).



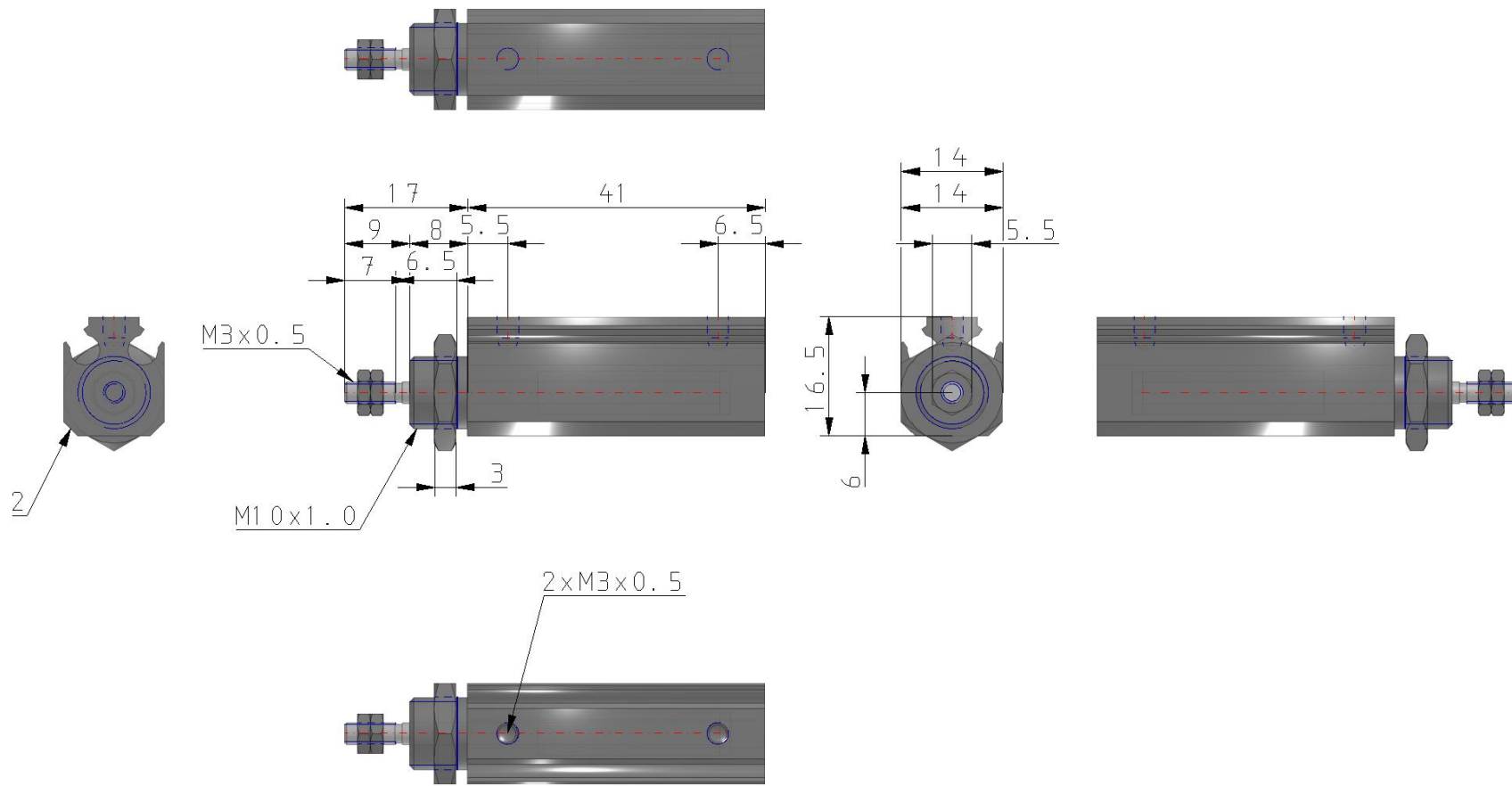
Double-acting, single-rod cylinder

Standard specifications

Magnet	None
Mounting	B (Basic)
Bore Size	Ø6 mm
Stroke	25 mm
Rod End Thread	With Thread
Auto Switch	No Switch
Lead Wire or Prewired Connector	0.5m [Or None in the Case of No Switch]
Number	2 pcs. [Or None in the Case of No Switch]
Pressure medium	Compressed Air
Maximum temperature of pressure medium	70 °C
Minimum temperature of pressure medium	-10 °C
Maximum operating pressure	0.7 MPa
Minimum operating pressure	0.12 MPa
Proof pressure	1.05 MPa
Maximum ambient temperature	70 °C
Minimum ambient temperature	-10 °C
Number of pneumatic connections	2 pcs.
Pneumatic input connection	M3 x 0.5

Mode of operation of drive	Double acting
Theoretical cylinder force, advance stroke (at 0.5 MPa)	14.1 N
Theoretical cylinder force, return stroke (at 0.5 MPa)	10.6 N
Type of cushioning	Rubber bumper
Male thread of rod end	M3
Weight	0.025 Kg

Dimensions



Additional information

Catalogue

[CJP2-CJP_EU.pdf](#)

Operation manuals

[OM_CJP2_OM0002K_EN.pdf](#)