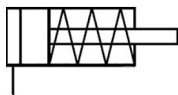


## C(D)UJ, Miniature Free Mount Cylinder CUJB10-4S

Datasheet

### General series information

- Miniature free mount
- Space saving compact cylinder
- Available in 4mm to 10mm bore size



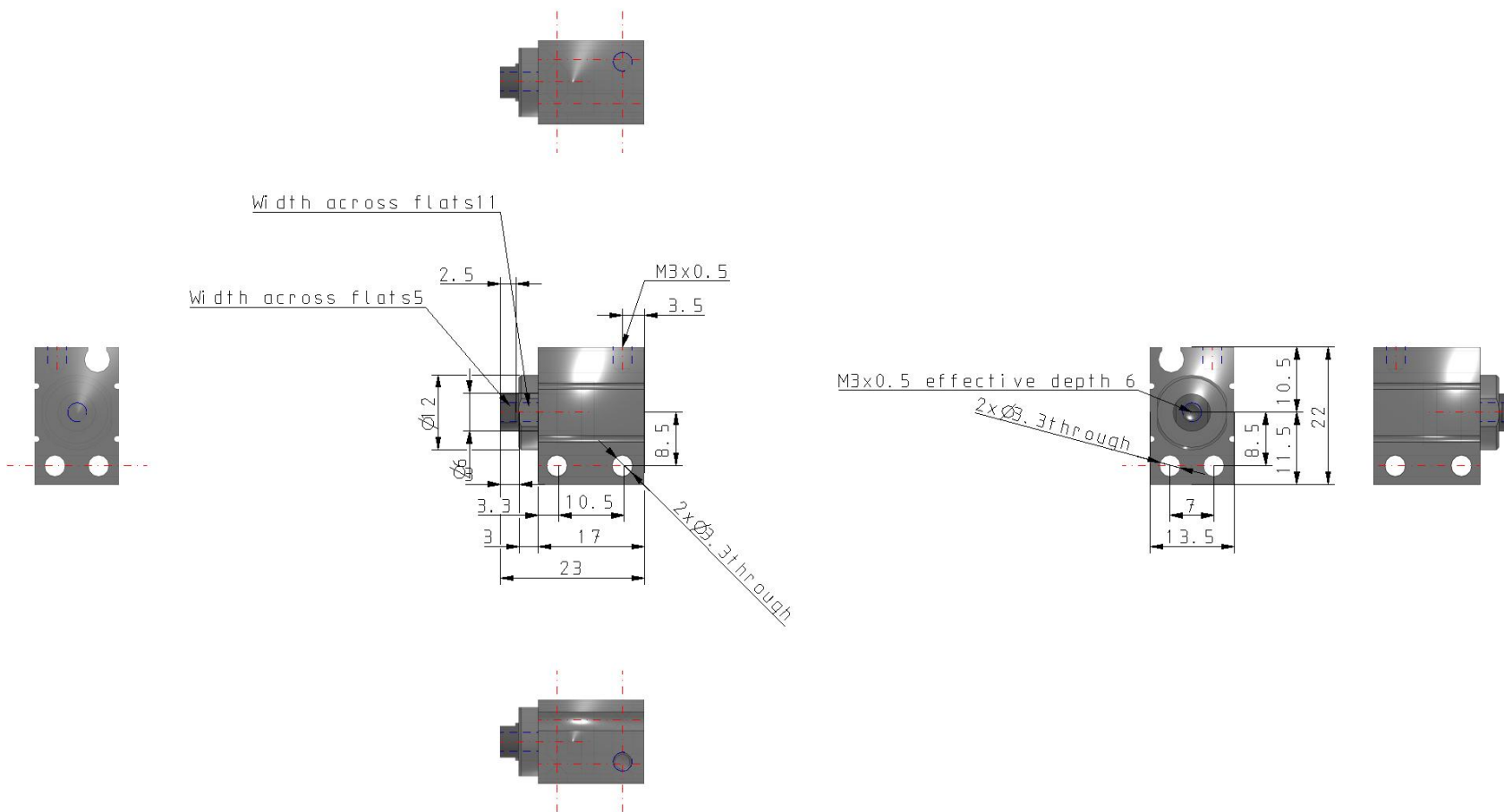
Single-acting cylinder, single piston rod, return stroke by spring

### Standard specifications

Clean Series	Without Clean Series
Magnet	None
Mounting Direction	B (Lateral Mounting)
Bore Size	10
Stroke	4mm
Action	S (Single Acting Spring Return)
Rod End Thread	Rod End Female Thread (w/o Thread for $\varnothing 4$ )
Auto Switch	No Switch
Lead Wire or Prewired Connector	0.5m (Or None in the Case of No Switch)
Number	2 pcs. (Or None in the Case of No Switch)
Pressure medium	Air
Maximum operating pressure	0.7 MPa
Minimum operating pressure	0.2 MPa
Proof pressure	1.05 MPa
Theoretical cylinder force, advance stroke (at 0.5 MPa)	39.26 N
Theoretical cylinder force, return stroke (at 0.5 MPa)	25.13 N
Femalethread of rod end	Standard
Ambient and fluid temperature	-10 °C - 60 °C
Stroke length tolerance	0 - +0.5
Rod end thread tolerance	JIS class 2

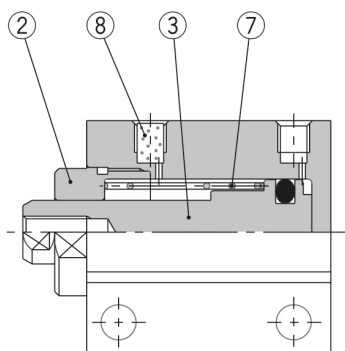
Mounting	Through-hole
Piston speed	50 - 500 mm/s
Weight	0.017 Kg

# Dimensions

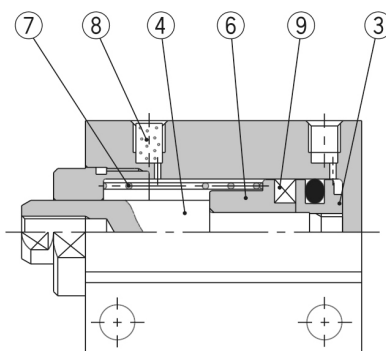


## Constructions

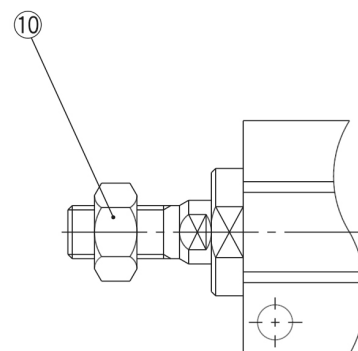
### Single Acting, Spring Return



Without magnet



Built-in magnet



Rod end male threaded

### Component Parts

No.	Description	Material	Note
1	Cylinder tube	Aluminum alloy	Hard anodized
2	Rod cover	Copper alloy	Electroless nickel plated
3	Piston	Without switch Stainless steel	
	With switch Aluminum alloy	Chromated	
4	Piston rod	Stainless steel	
5	Seal retainer	Aluminum alloy	Chromated (CUJB4 only)
6	Magnet retainer	Aluminum alloy	Chromated
7	Return spring	Piano wire	
8	Bronze element	Sintered metallic BC	
9	Magnet	—	
10	Rod end nut	Iron	Nickel plated
11	Piston seal	NBR	
12	Rod seal	NBR	
13	Tube gasket	NBR	

## Additional information

Catalogue	<a href="#">CUJ-C_EU.pdf</a>
Operation manuals	<a href="#">cuj_cuj_-om0001j.pdf</a>