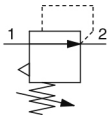


## ARM5S, Regulator Single Unit Type ARM5SA-06-A1

Datasheet

### General series information

- Small compact manifold regulator, single unit.
- Two mounting style available: Direct mount, DIN rail mount.
- Metric and Inch size IN/OUT Fitting Type.
- Options include with or without pressure gauge, 0.35MPa setting, non-relieving, and unit representation.

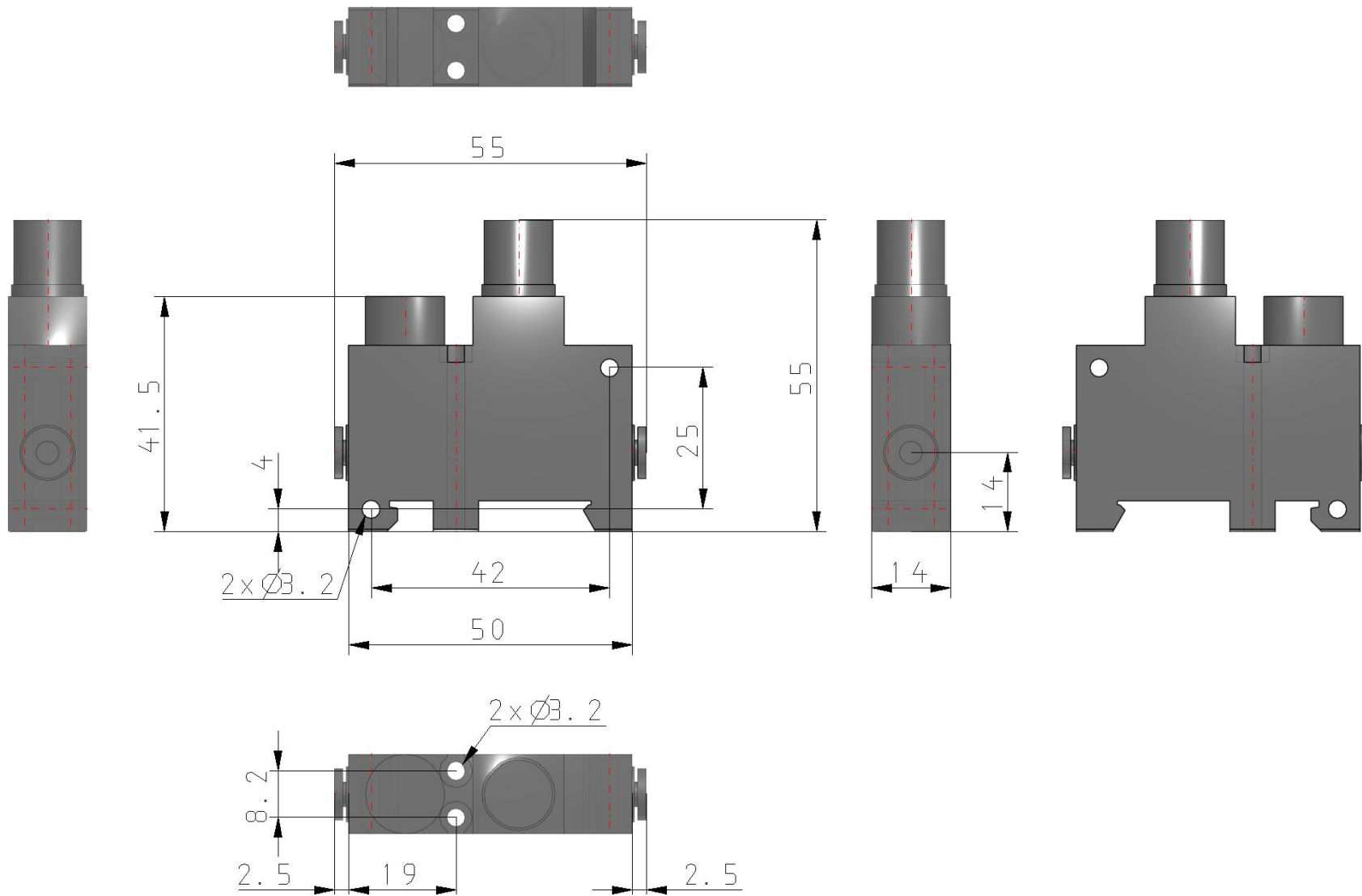


Pressure control valve, relieving pressure regulator, adjustable

### Standard specifications

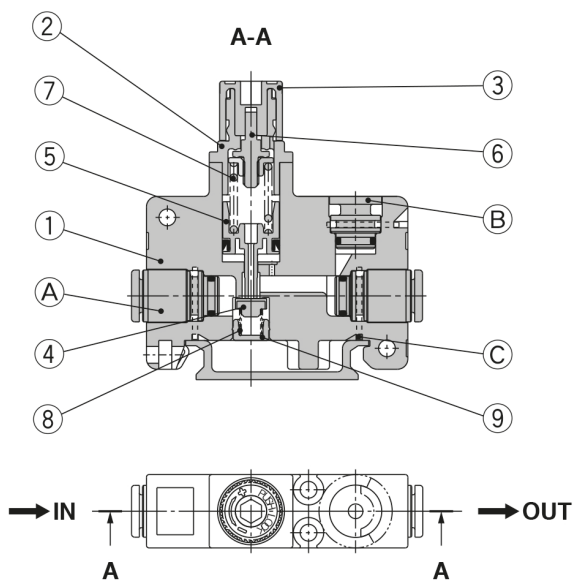
|                               |   |
|-------------------------------|---|
| Regulator Mounting            | A (Direct Mount)  |
| IN/OUT Fitting Type           | 06 [IN/ø4 (Straight) - OUT/ø4 (Straight)]                   |
| Accessory                     | A (w/Pressure Gauge)  |
| Options                       | 1 (0.35 MPa Setting)  |
| Unit Representation           | Display Unit for Product Name Plate and Pressure Gauge: MPa |
| Maximum operating pressure    | 1.0 MPa   |
| Proof pressure                | 1.5 MPa   |
| Set pressure range            | 0.05 - 0.35 MPa   |
| Fluid                         | Air   |
| Regulator construction        | Direct acting   |
| Working principle             | Piston type   |
| Relief mechanism              | Relief type   |
| Backflow function             | Built-in (unbalance type)                                   |
| Ambient and fluid temperature | 5 - 60 °C   |
| Weight                        | 0.035 Kg  |

# Dimensions



Specifications are subject to change without prior notice and any obligation on the part of the manufacturer.

## Constructions



## Component Parts

| No. | Description                     | Material             |
|-----|---------------------------------|----------------------|
| 1   | <b>Body (for single unit)</b>   | PBT                  |
| 2   | <b>Bonnet</b>                   | PBT                  |
| 3   | <b>Handle</b>                   | POM                  |
| 4   | <b>Valve</b>                    | HNBR, Aluminum alloy |
| 5   | <b>Piston assembly</b>          | POM, NBR             |
| 6   | <b>Adjusting screw assembly</b> | —                    |
| 7   | <b>Adjusting spring</b>         | Stainless steel      |
| 8   | <b>Valve spring</b>             | Stainless steel      |
| 9   | <b>Valve guide</b>              | Brass                |
| 10  | <b>Clip</b>                     | Stainless steel      |

| No. | Description             | Material        |
|-----|-------------------------|-----------------|
| A   | <b>Fitting assembly</b> | —               |
| B   | <b>Port plug</b>        | PBT, HNBR       |
| C   | <b>Clip</b>             | Stainless steel |

## Additional information

Catalogue

[ARM5\\_EU.pdf](#)

Operation manuals

[arm5\\_op\\_manual\\_ar\\_-omj0032.pdf](#)