

C(D)JP2, Pin Cylinder, Double Acting, Single Rod CDJP2B10-30D

Datasheet

General series information

- The body material has been changed from brass to aluminium, achieving impressive weight reduction.
- The overall length of the cylinder has been reduced resulting in an extremely compact cylinder.
- Solid state auto-switches can also be mounted now.
- Longer stroke options are now available.
- Internal rubber bumpers provide quieter operation and longer life (up to 5 million cycles).



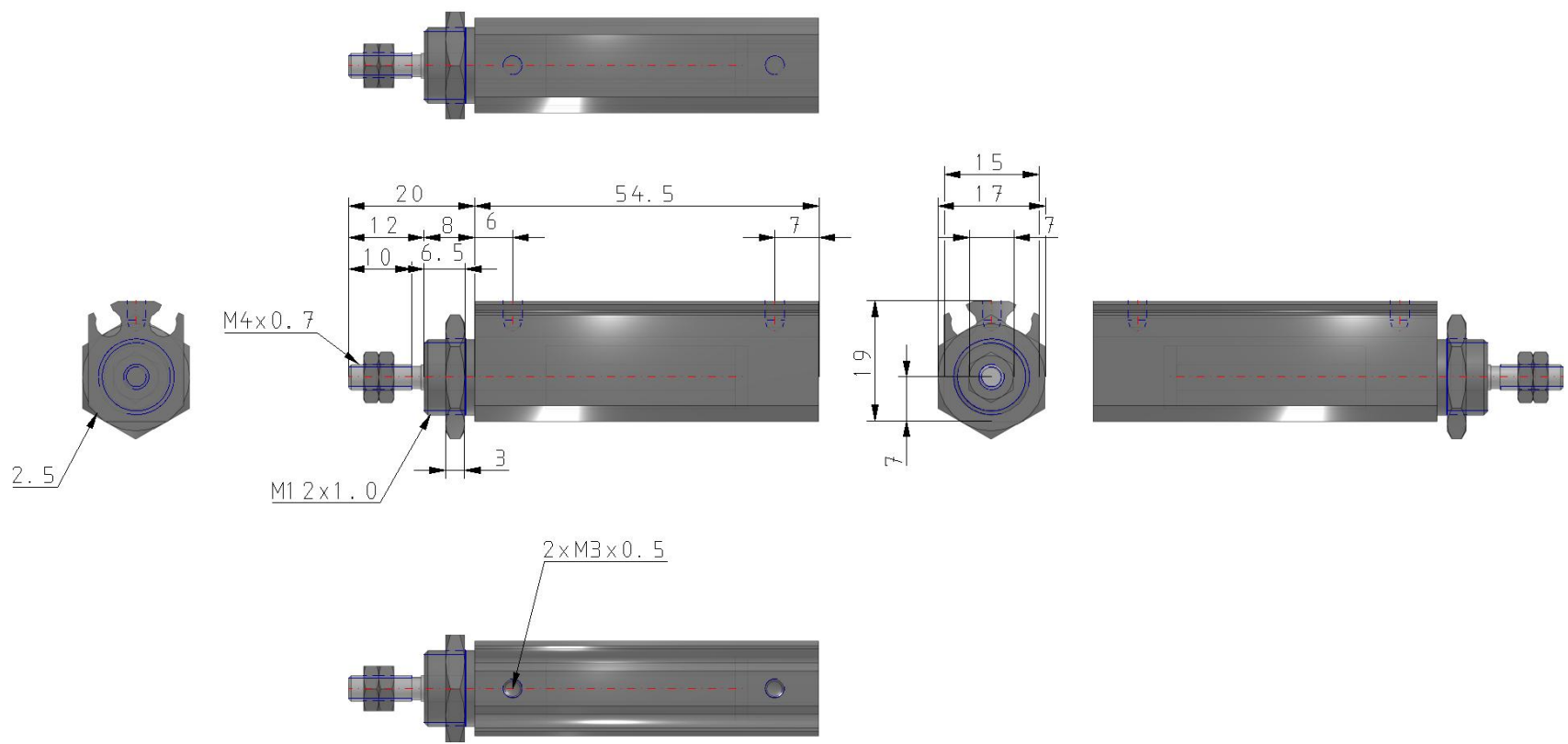
Double-acting, single-rod cylinder

Standard specifications

Magnet	D (Built-in)
Mounting	B (Basic)
Bore Size	Ø10 mm
Stroke	30 mm
Rod End Thread	With Thread
Auto Switch	No Switch
Lead Wire or Prewired Connector	0.5m [Or None in the Case of No Switch]
Number	2 pcs. [Or None in the Case of No Switch]
Pressure medium	Compressed Air
Maximum temperature of pressure medium with magnet	60 °C
Minimum temperature of pressure medium with magnet	-10 °C
Maximum operating pressure	0.7 MPa
Minimum operating pressure	0.06 MPa
Proof pressure	1.05 MPa
Maximum ambient temperature with magnet	60 °C
Minimum ambient temperature with magnet	-10 °C
Number of pneumatic connections	2 pcs.
Pneumatic input connection	M3 x 0.5

Mode of operation of drive	Double acting
Theoretical cylinder force, advance stroke (at 0.5 MPa)	39.3 N
Theoretical cylinder force, return stroke (at 0.5 MPa)	33 N
Type of cushioning	Rubber bumper
Male thread of rod end	M4
Weight	0.056 Kg

Dimensions



Additional information

Catalogue

[CJP2-CJP_EU.pdf](#)

Operation manuals

[cjp2_op_manual_cjp2-om0002k-a.pdf](#)