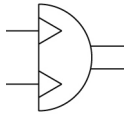


MSQ, Rotary Table, Rack & Pinion, Shock Absorber MSQB30L2

Datasheet

General series information

- Rotary table w/external shock absorber
- Four bore sizes available
- High precision or basic type available
- 90° and 180° rotation available
- Auto switch capable



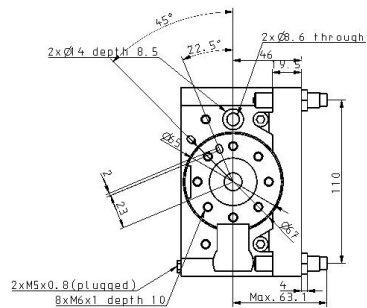
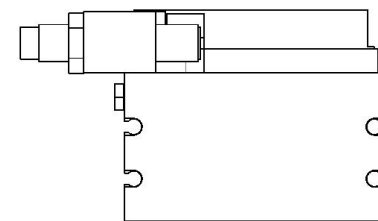
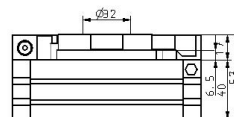
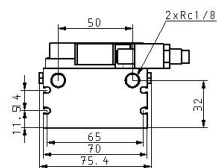
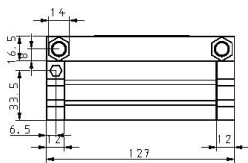
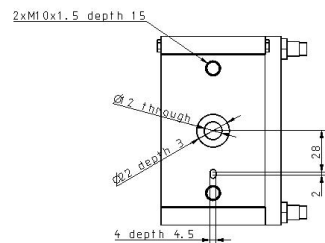
Semi-rotary actuator, double acting

Standard specifications

Bearing Style	B (Basic Style)
Size	30mm
Shock Absorber	L (For Low Energy)
Port Location	2 (Standard 180°)
Auto Switch	No Switch
Lead Wire or Prewired Connector	0.5m [Or None in the Case of No Switch]
Number	2 pcs. [Or None in the Case of No Switch]
Thread Type	M5 [10,20]; Rc 1/8 [30,50]
Pressure medium	Compressed air (non-lube)
Maximum temperature of pressure medium	60 °C
Minimum temperature of pressure medium	0 °C
Maximum operating pressure	1.0 MPa
Minimum operating pressure	0.2 MPa
Maximum ambient temperature	60 °C
Minimum ambient temperature	0 °C
Number of pneumatic connections	4 pcs.
Pneumatic input connection	R 1/8
Mode of operation of drive	Double acting

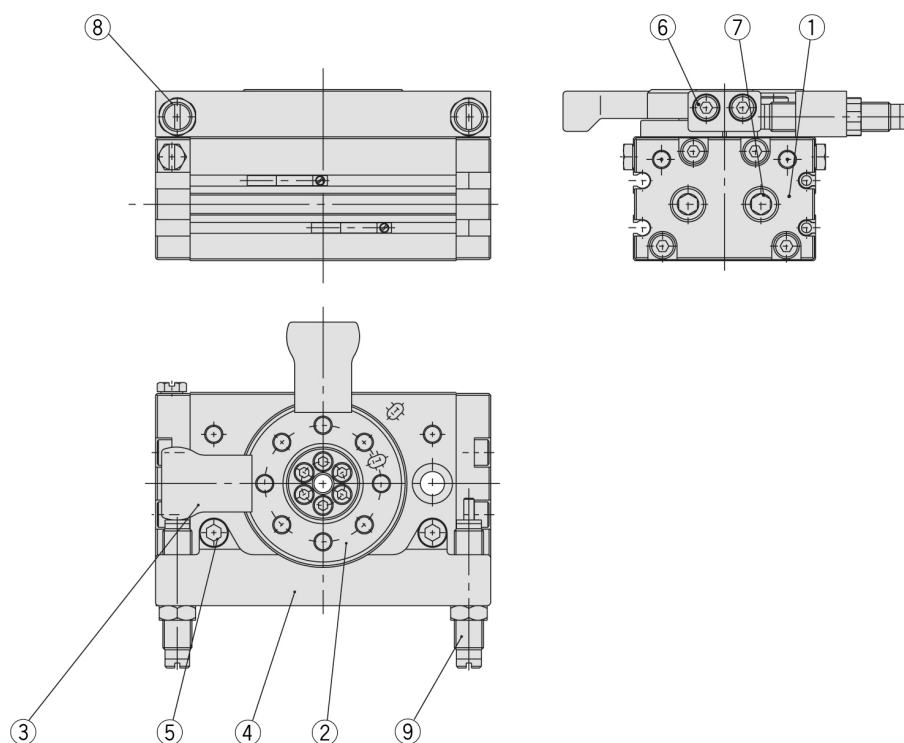
Type of cushioning	External shock absorber
Weight	1.390 Kg

Dimensions



Specifications are subject to change without prior notice and any obligation on the part of the manufacturer.

Constructions



Component parts

No.	Description	Material
1	End cover	Aluminium alloy
2	Table	Aluminium alloy
3	Arm	Chrome molybdenum steel
4	Shock absorber holder	Aluminium alloy
5	Hexagon socket head set bolt	Stainless steel
6	Hexagon socket head set bolt	Stainless steel
7	Taper plug	Steel wire
8	Hexagon nut	Steel wire
9	Shock absorber	s

Additional information

Catalogue

[MSQ_EU.pdf](#)