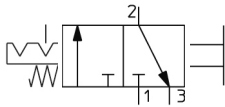


Single Action - VHS VHS40-F04B-S

Datasheet

General series information

- Modular connection type for connecting to FRL units
- Flow rate up to 8270 l/min
- Energy saving: zero air bleeding while switching the handle
- Safety measure: prevention of accidents caused by inadvertent air supply problems (OSHA standard compliant)
- With built-in silencer for EXH port as an option.

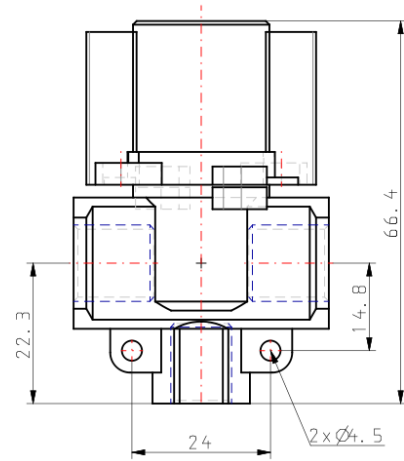
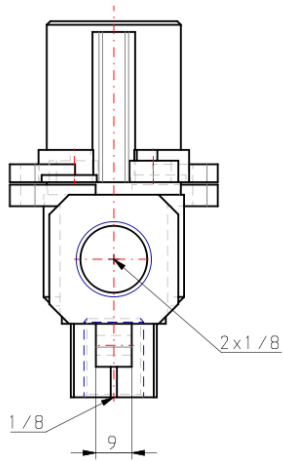
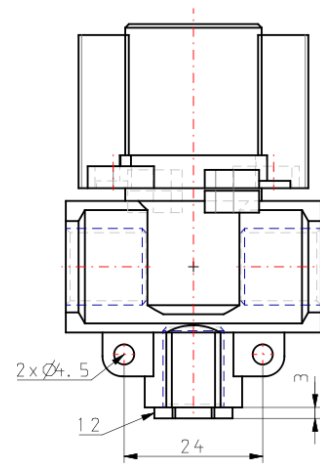
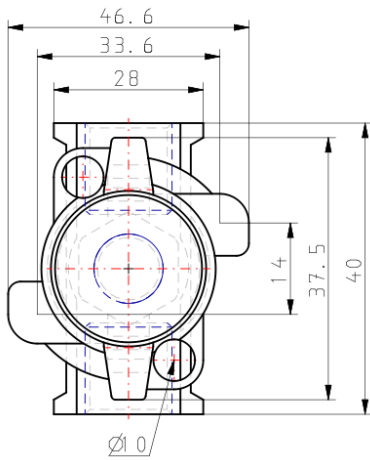


Directional control valve 3/2-way valve, closed normal position With mechanical control spring, with mechanical component detent control Return with general manual control

Standard specifications

Body Size	40
Thread	F (G)
Port Size	04 (1/2)
Handle/Bonnet Material	B (Aluminum)
Options	S (Built-in Silencer, EXH Port)
Semi-standard	None
Made to Order	None
Pressure medium	Air
Maximum operating pressure	1.0 MPa
Minimum operating pressure	0.01 MPa
Proof pressure	1.5 MPa
Maximum ambient temperature	60 °C
Minimum ambient temperature	-5 °C (No freezing)
Approvals	No need
Paint colour	Handle: Red Body: White
Handle switching angle	90°
Weight	0.320 Kg

Dimensions



Additional information

Catalogue	VHS-A_EU.pdf
Declaration of conformity	new_DoC_VHS_TF122-178EN.pdf newDoc_VHS-A_TF1V403EN-A.pdf
Operation manuals	OM_VHS_Q0023EN-C.pdf