

KK*P-*M, S-Couplers, Male Thread KK2P-M5M

Datasheet

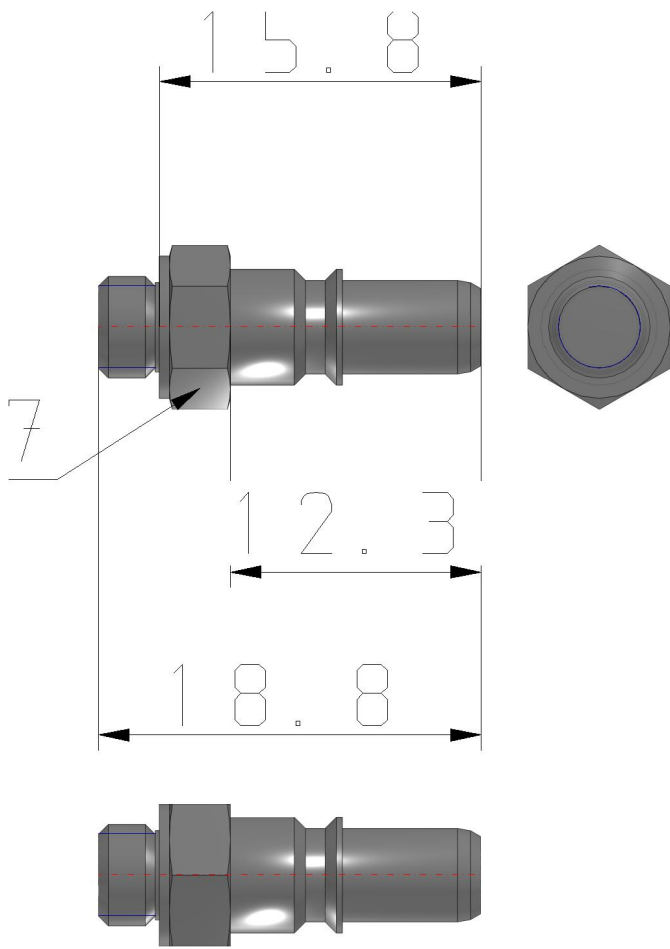
General series information

- Male thread.
- Body size: M5, 1/8, 1/4, 1/2.
- Applicable Port Size: M5, R1/8, R1/4, R3/8, R1/2, R3/4.

Standard specifications

| | |
|-----------------------------|---|
| Body Size | 2 (M5) |
| Piping Port Size | M5x0.8 |
| Sealant | None |
| Pressure medium | Air, Water |
| Maximum operating pressure | 1.0 MPa |
| Minimum operating pressure | -100 kPa |
| Proof pressure | 1.5 MPa |
| Maximum ambient temperature | 60 °C / 40 °C for Water |
| Minimum ambient temperature | -5 °C (with no freezing) / 5 °C for Water |
| Effective Area | 3.8 mm ² |
| Sealing principle | Electroless nickel plated (copper-free application), With male thread sealant |
| Weight | 0.020 Kg |

Dimensions



Additional information

Catalogue

[KK-C_EU.pdf](#)