

## IZF21/31, Ionizer, Fan Type IZF21-P

### Datasheet

### General series information

- Slim design.
- Offset voltage (Ion balance):  $\pm 5$  V.
- Rapid static neutralization: 0.5 seconds.
- Flow Rate Adjustment Function.
- Filter.

### Standard specifications

Model	21 (1.8 m <sup>3</sup> /min)
Input/Output	P (PNP, Input/Output)
Power Supply Cable, AC Adapter	w/Power Supply Cable, 3m
Bracket	None
Automatic Cleaning Unit, Louver	None
Filter	None
Maximum ambient temperature	50 °C
Minimum ambient temperature	0 °C
General power supply	24 VDC $\pm 10$ %
Conform to the European RoHS Directive	Conform
Approvals	CE, UKCA
Current consumption	90 mA
Material	Case: ABS/PBT/Stainless steel Emitter: Tungsten
Ion generation method	Corona discharge
Method of applying voltage	DC
Applied voltage	$\pm 5$ kV
Ambient humidity	35 to 80 % RH (No condensation)
Offset voltage	$\pm 5$ V

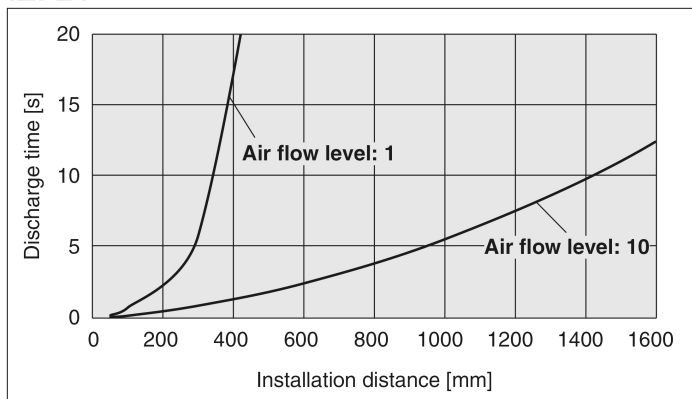
Weight

0.430 Kg

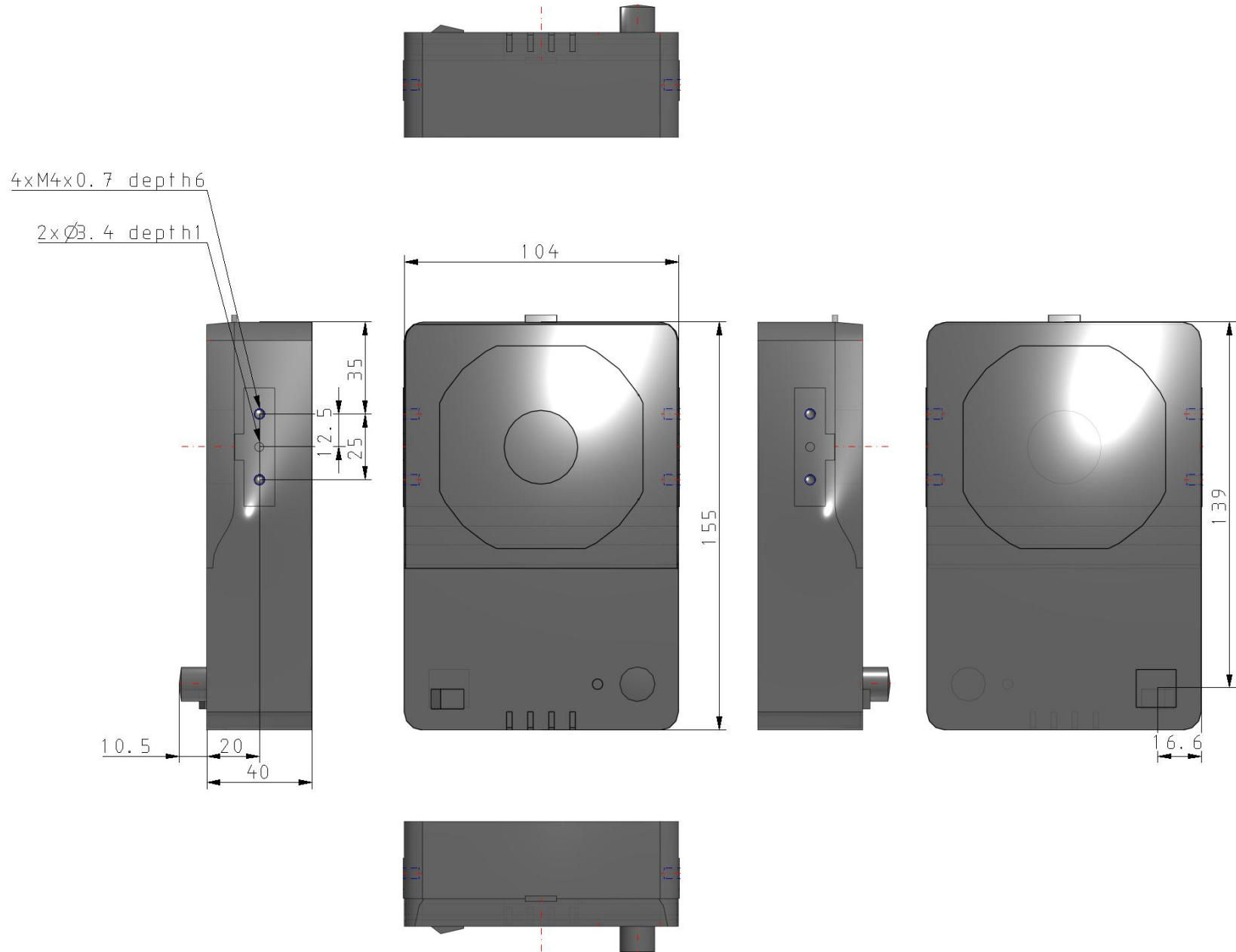
## Technical information graphs

### Installation distance and discharge time

#### IZF21



# Dimensions



## Additional information

Catalogue	<a href="#">IZF-C_EU.pdf</a>
Declaration of conformity	<a href="#">newDoC_IZF21-31_TF1V244EN.pdf</a> <a href="#">DoC_IZF21-31_TDS0032.pdf</a> <a href="#">newDoC_IZF21-31_TF122009EN.pdf</a> <a href="#">newDoC_IZF-HS_TF1B245EN.pdf</a> <a href="#">DoC_IZF21-31_TDS0031.pdf</a>
Installation manuals	<a href="#">IM_IZF21-31_TF2Z270EN.pdf</a>
Operation manuals	<a href="#">OM_IZF21-31_OMR0035EN-A.pdf</a>