

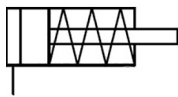
CJP, Pin Cylinder, Single Acting, Spring Return

CJPB10-10H4-B

Datasheet

General series information

- Single acting, spring return, pin cylinder
- Compact design-minimizes mounting space
- Three bore sizes available
- Strokes from 5mm to 15mm available
- Two mounting styles available

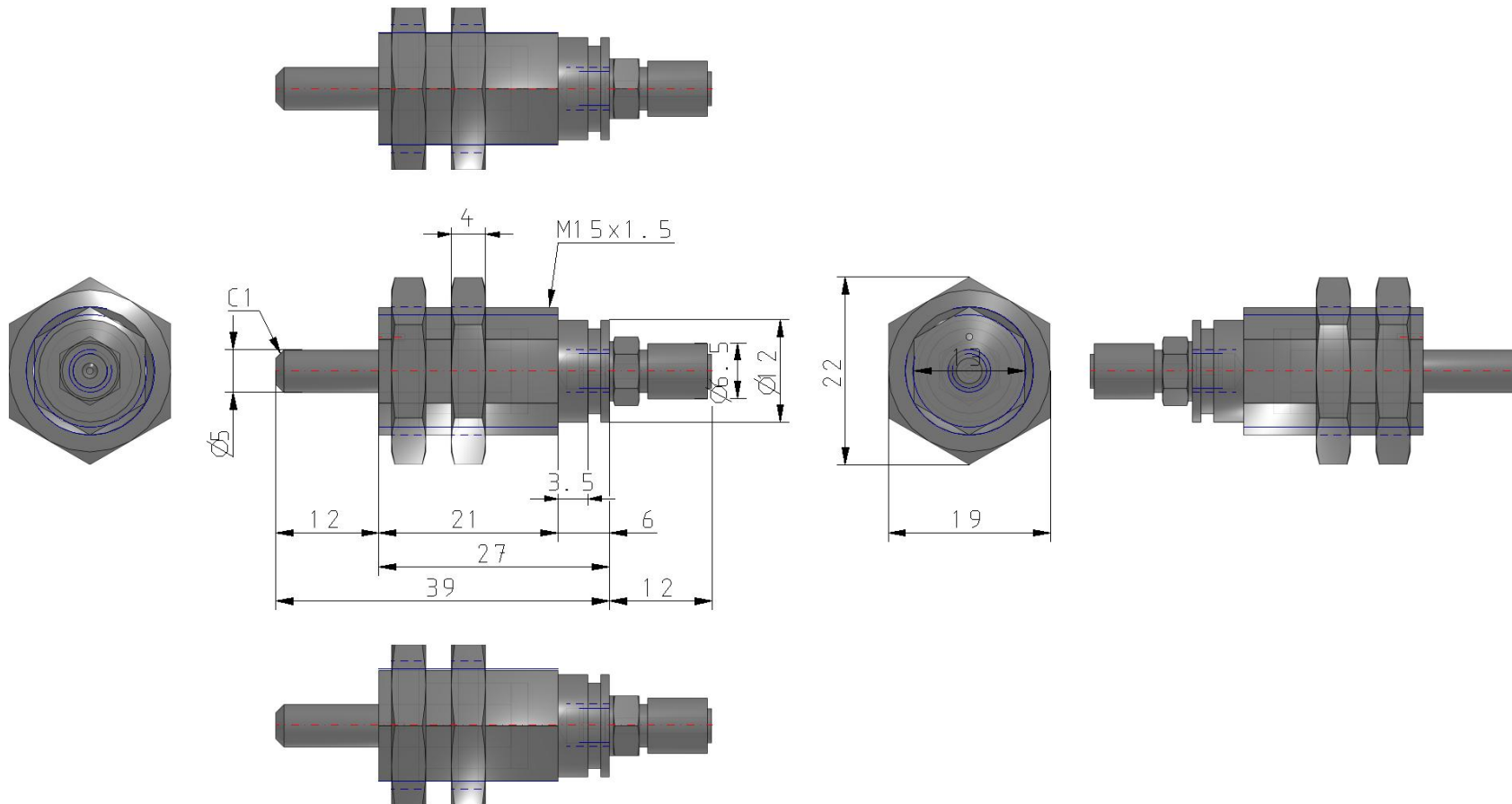


Single-acting cylinder, single piston rod, return stroke by spring

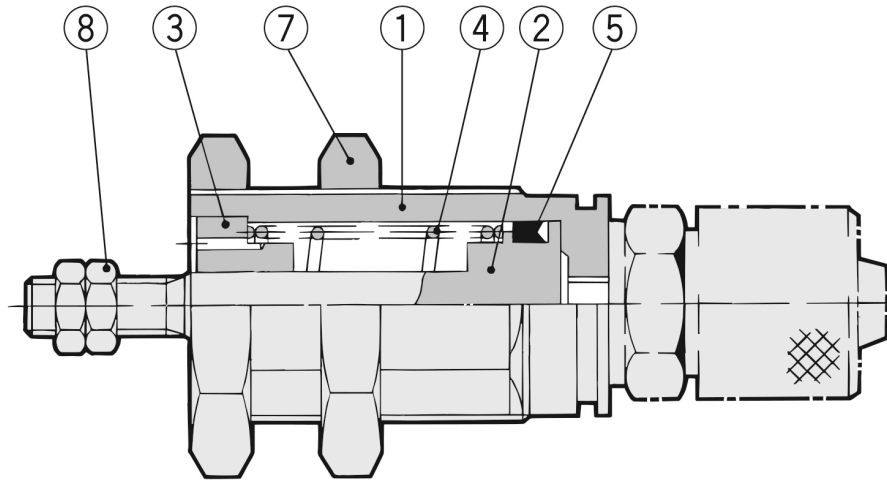
Standard specifications

| | |
|--------------------------------|------------------------------|
| Mounting | B (Panel Mount Style) |
| Bore Size | 10 mm |
| Stroke | 10 mm |
| Hose Nipple | H4 (For Tube Ø4/Ø2.5) |
| Rod End Thread | B (w/o Thread) |
| Maximum operating pressure | 0.7 Mpa |
| Minimum operating pressure | 0.15 MPa |
| Proof pressure | 1.05 MPa |
| Type of cushioning | None |
| Lubrication | Not required (non-lube) |
| Ambient and fluid temperature | -10 - 70°C |
| Stroke length tolerance | +1.0 0 |
| Thread Tolerance | JIS class 2 |
| Piston speed | 50 - 500 mm/s |
| Action | Single acting, spring return |
| Accessory (Standard equipment) | Mounting nut (2) |

Dimensions



Constructions



Component Parts

| No. | Description | Material | Note | |
|-----|----------------------|--------------------------------|---------------------------|-----------------------------------|
| 1 | Cover | Brass | Electroless nickel plated | |
| 2 | Piston | Stainless steel | | |
| 3 | Collar | Oil-impregnated sintered alloy | ø4 | Brass + Electroless nickel plated |
| | | | ø6, ø10 | Bronze |
| 4 | Return spring | Steel wire | Zinc chromated | |
| 5 | Piston seal | NBR | | |
| 7 | Mounting nut | Brass | Electroless nickel plated | |
| 8 | Rod end nut | Steel | Nickel plated | |

Additional information

| | |
|-------------------|--|
| Catalogue | CJP2-CJP_EU.pdf |
| Operation manuals | cjp_cjp_-om0002c-a.pdf |