

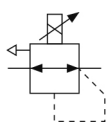
# ITVX, High Pressure Electro-Pneumatic Regulator

## ITVX2030-31F3N

Datasheet

### General series information

- Maximum supply pressure 5.0 MPa.
- Set pressure range 0.01 to 3.0 MPa.
- Suitable to assist gases other than air: Argon, Oxygen and Nitrogen.
- Low power consumption, with a maximum consumption of 3 W.
- Compact and lightweight.



Electro-pneumatic regulator

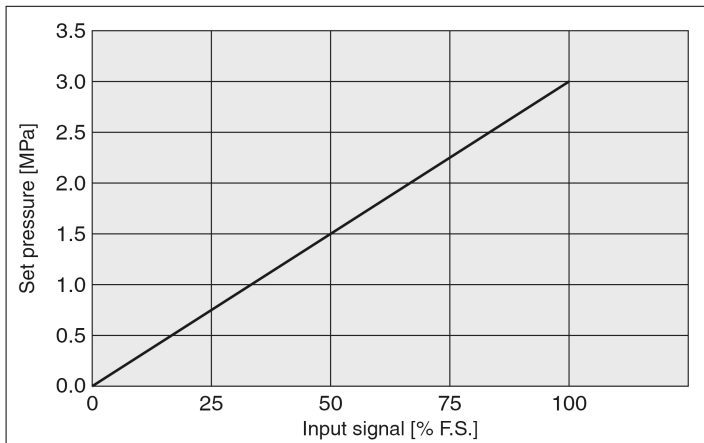
### Standard specifications

Input Signal	3 (Voltage Style 0~10VDC)
Monitor Output	1 (Analog Output 1~5VDC)
Thread	F [G(PF)]
Accessory	None
Cable Connector	N (w/oCable Connector)
Pressure Display Unit	MPa
Maximum ambient temperature	50°C
Minimum ambient temperature	0°C
General power supply	24 VDC ±10%
Sensitivity	±1% or less (Full span)
Repeatability	±1% or less (Full span)
Set pressure range	0.01 to 3.0 MPa
Linearity	±1% or less (Full span)
Current consumption	0.12 A or less
Applicable fluid	Air, N <sub>2</sub> , O <sub>2</sub> , Ar
Max. supply pressure	5 MPa
Min. supply pressure	Whichever is higher: 0.5 MPa or the set pressure +0.2 MPa

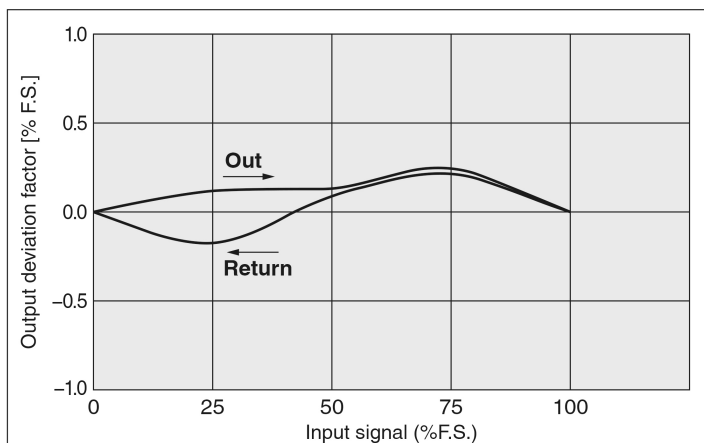
Display accuracy	$\pm 2\%$ or less (Full span) $\pm 1$ digit
Temperature characteristics	$\pm 0.12\%$ or less (Full span)/ $^{\circ}\text{C}$
Maximum fluid temperature	$50^{\circ}\text{C}$
Minimum fluid temperature	$0^{\circ}\text{C}$
Minimum display unit	MPa: 0.01, kgf/cm <sup>2</sup> : 0.1, bar: 0.1, psi: 1
Hysteresis	1% or less (Full span)
Input impedance Voltage type	6 to 6.5 k $\Omega$ (at ordinary temperature)
Output signal Analogue	1 to 5 VDC (Output impedance: Approximately 1 k $\Omega$ ) Output accuracy within $\pm 6\%$ (Full span)
Weight	0.570 Kg

## Technical information graphs

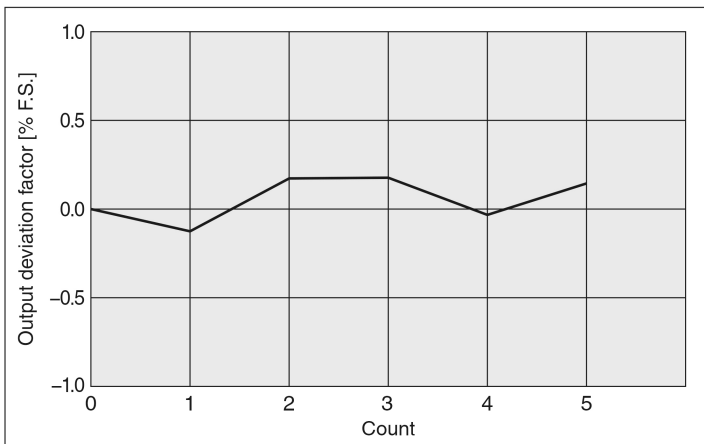
### Linearity



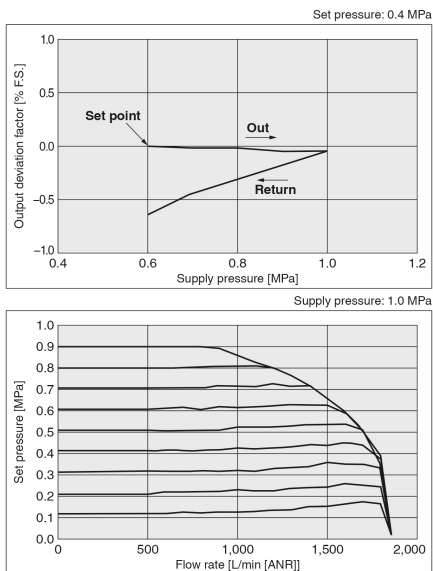
### Hysteresis



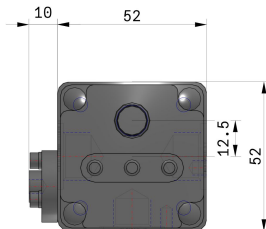
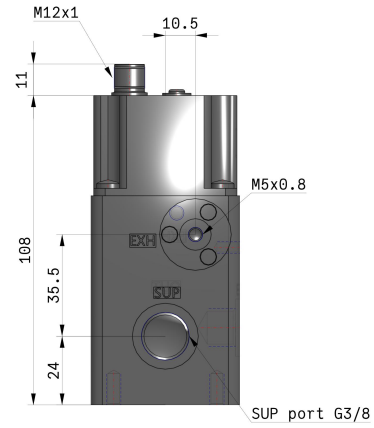
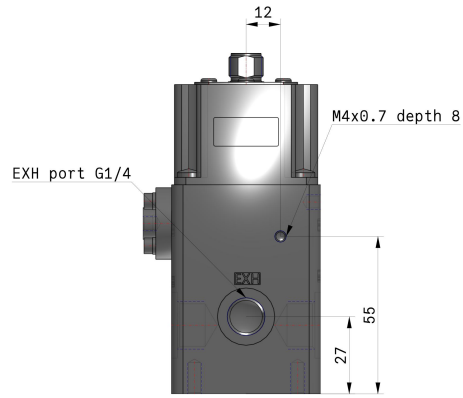
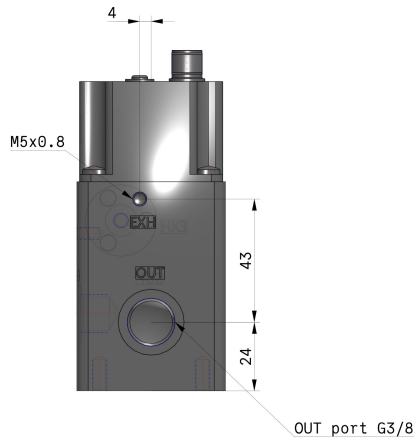
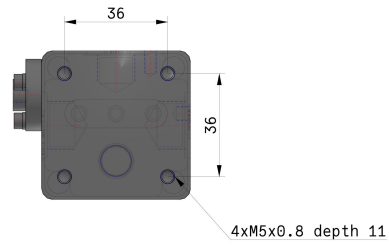
## Repeatability



## Pressure and Flow-rate characteristics



# Dimensions



Specifications are subject to change without prior notice and any obligation on the part of the manufacturer.

## Additional information

Catalogue	<a href="#">ITVX_EU.pdf</a>
Declaration of conformity	<a href="#">newDoC_ITVX_TF1Z293EN.pdf</a> <a href="#">newDoC_ITVX_TF1V099EN.pdf</a> <a href="#">DoC_ITVX_T02-011-7-A.pdf</a>
Installation manuals	<a href="#">IM_ITVX2030_TF2Z367EN.pdf</a>
Operation manuals	<a href="#">OM_ITVX_OM002EN-D.pdf</a>