

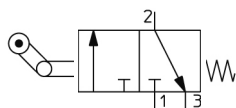
VM100, 100 Series 2/3 Port Mechanical Valve

VM133-M5-02A

Datasheet

General series information

- Fluid: Air/Inert gas.
- Compact size.
- Piping options: Side ported, Bottom ported.
- Possible to choose mounting method with side ported.
- Variety of actuator types.



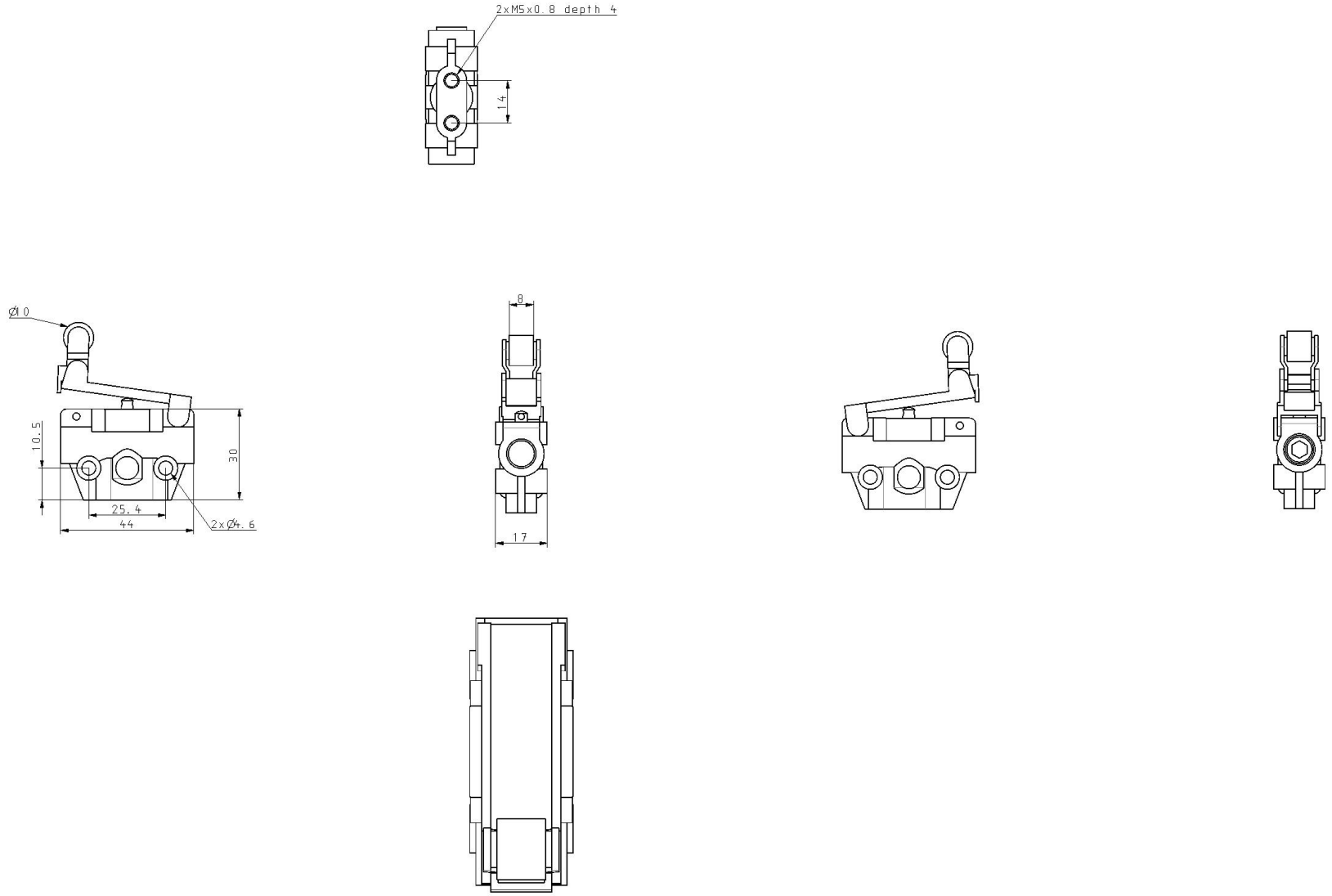
Directional control valve 3/2-way valve, closed normal position With mechanical control roller with idle return Return with mechanical control spring

Standard specifications

Number of Ports	3 Port
Piping Direct., Plunger Length	3 (Bottom Ported Short)
Body Option	Side Mounting
Port Size	M5 (M5 x 0.8) Bottom Ported Only
Actuator type	02 (One Way Roller Lever)
Suffix	None
Indicator	None
Bracket	None
Pressure medium	Air/Inert gas
Maximum temperature of pressure medium	60 °C
Minimum temperature of pressure medium	-5 °C (No freezing)
Maximum operating pressure	1.0 MPa
Minimum operating pressure	-100 kPa
Maximum ambient temperature	60 °C
Minimum ambient temperature	-5 °C (No freezing)
Pneumatic input connection	M5 x 0.8
Pneumatic exhaust connection	M5 x 0.8
Function in normal position	Exhausted

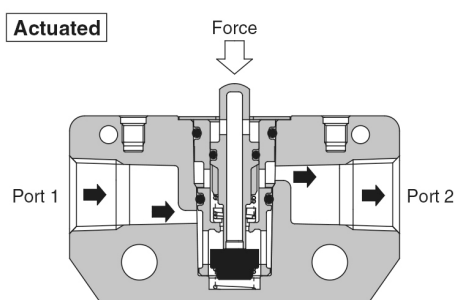
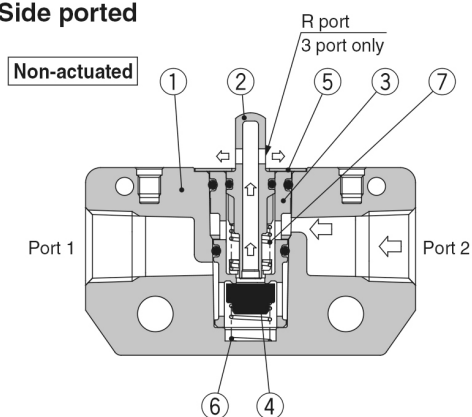
Type of piloting	Directly
Valve return	Mechanical spring
Flow rate	120 l/min
Critical pressure ratio	0.2
Sonic conductance dm ³ /(s·bar)	0.5
Actuation type	Mechanically

Dimensions

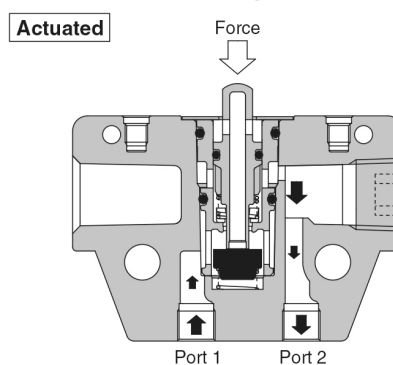
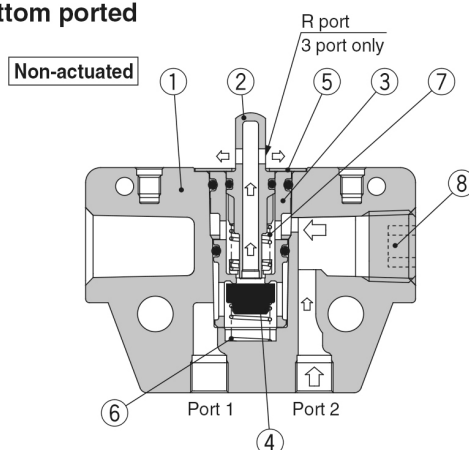


Constructions

Side ported



Bottom ported



Component Parts

No.	Description	Material	Note	
1	Valve	ZDC	White coated	
2	Plunger	Polyacetal	2 port	Grey
			3 port	White
3	Valve sheet	PBT		
4	Valve	NBR		

No.	Description	Material	Note
5	Plunger retainer	Stainless steel	
6	Spring	Stainless steel	
7	Spring	Spring steel	
8	Hexagon socket head taper plug	Rolled steel	

Additional information

Catalogue	VM100-200-A_EU.pdf
Installation manuals	IM_VM100_TF2Z478EN-C.pdf