

## C(D)85, ISO Standard Cylinder, Double Acting, Single Rod C85Y25-25

Datasheet

### General series information

- Double acting, single rod, crimped cylinder
- Conforms to ISO 6432 and CETOP RP52P
- Bore sizes (mm): 8, 10, 12, 16, 20, 25
- Standard strokes up to 300mm
- Auto switch capable



Double-acting, single-rod cylinder

### Standard specifications

Magnet	None
Mounting	Y (Boss Cut - End Port)
Bore Size	Ø25 mm
Stroke	25
Cushion	Rubber Cushion
Rod Boot	None
Auto Switch Mounting Type	None
Auto Switch	No Switch
Lead Wire or Prewired Connector	0.5m (Or None in the Case of No Switch)
Number	2 pcs. (Or None in the Case of No Switch)
Rod End Options	None
Temperature Resistance	None
Low Speed	None
Stainless Steel	None
Long Stroke	None
Pressure medium	Compressed Air
Maximum temperature of pressure medium	80 °C
Maximum temperature of pressure medium with magnet	60 °C

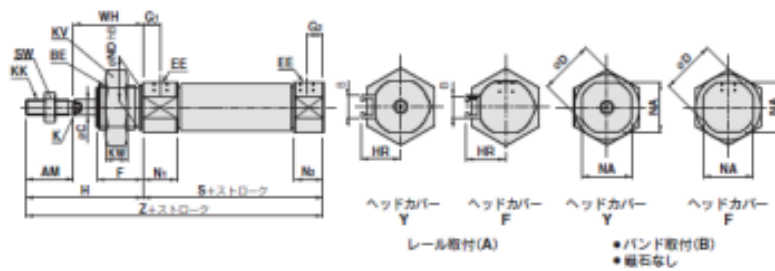
Minimum temperature of pressure medium	-20 °C [without condensation]
Minimum temperature of pressure medium with magnet	-10 °C [without condensation]
Maximum operating pressure	1 MPa
Minimum operating pressure	0.05 MPa
Proof pressure	1.5 MPa
Maximum ambient temperature	80 °C
Maximum ambient temperature with magnet	60 °C
Minimum ambient temperature	-20 °C
Minimum ambient temperature with magnet	-10 °C
Number of pneumatic connections	2 pcs.
Pneumatic input connection	G 1/8
Pneumatic output connection	G 1/8
Mode of operation of drive	Double acting
Theoretical cylinder force, advance stroke (at 0.5 MPa)	245.5 N
Theoretical cylinder force, return stroke (at 0.5 MPa)	206.2 N
Maximum piston speed	1,500 mm/s
Type of cushioning	Rubber bumper
Piston rod end	External thread
Geometric form of the piston rod	Single rod
Male thread of rod end	M10 x 1.25
Usable tubing material	Soft nylon;Nylon;Polyurethane
Minimum piston speed	50 mm/s
Weight	0.191 Kg

# Dimensions

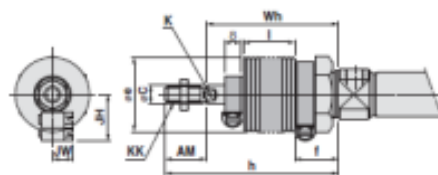
複動・片ロッド

ラバークッション：C□B5FY (チューブ内径) - ストローク □

磁石なし / 磁石内蔵



ジャバラ付



寸法表

チューブ径	AM	BE	C	D	EE	F	G <sub>1</sub>	G <sub>2</sub>	H	HR	K	KA	KK	KV	KW	N <sub>1</sub>	N <sub>2</sub>	NA	ND	S	SW	WH	Z
8	12	M12×1.25	4	16.7	M5×0.8	12	7	8	28	10	—	4.2	M4×0.7	19	6	11.5	9.5	15	12	46	7	16	74
10	12	M12×1.25	4	16.7	M5×0.8	12	7	8	28	10.5	—	4.2	M4×0.7	19	6	11.5	9.5	15	12	46	7	16	74
12	16	M16×1.5	6	19.7	M5×0.8	17	8	8	38	14	5	6.2	M5×1	24	8	12.5	10.5	18.3	16	50	10	22	86
16	16	M16×1.5	6	19.7	M5×0.8	17	8	8	38	14	5	6.2	M5×1	24	8	12.5	10.5	18.3	16	50	10	22	86
20	20	M20×1.5	8	28	G 1/8	20	8	8	44	17	6	8.2	M6×1.25	32	11	16	15	24	22	62	13	24	106
25	22	M22×1.5	10	33.5	G 1/8	22	8	8	50	20	8	10.2	M10×1.25	32	11	15	15	30	22	66	17	28	115

ジャバラ付

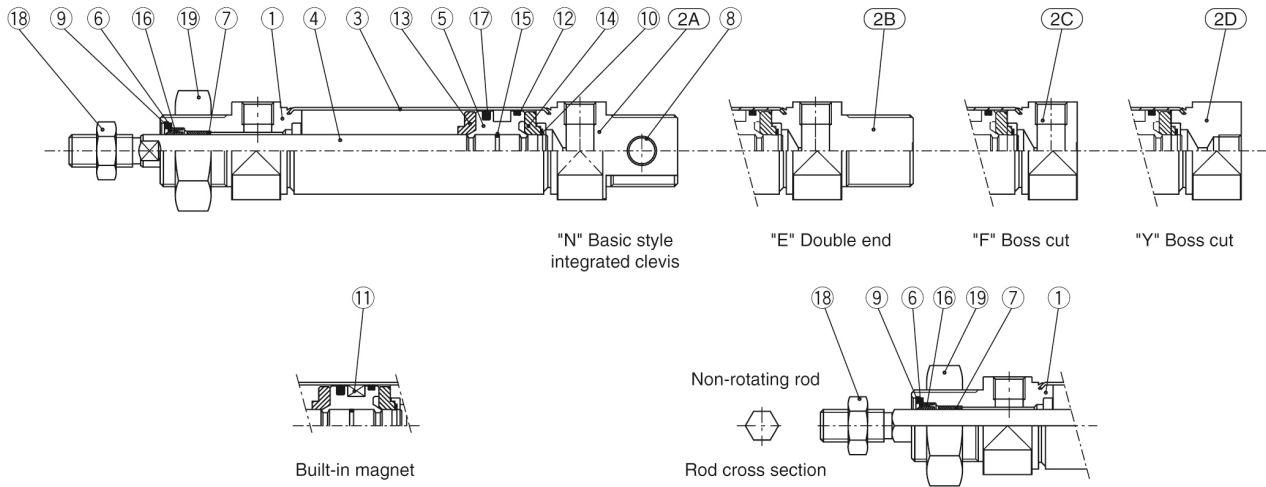
チューブ径	ストローク	AM	C	e	f	K	KK	h							
								1~50	51~100	101~150	151~200	201~300	301~400	401~500	
20	20	20	8	36	20	6	M6×1.25	71	84	96	109	134	159	—	—
25	22	22	10	36	20	8	M10×1.25	74	87	99	112	137	162	187	—

チューブ径	ストローク	I						JH	JW	Wh						
		1~50	51~100	101~150	151~200	201~300	301~400			401~500	1~50	51~100	101~150	151~200	201~300	301~400
20	12.5	25	37.5	50	75	100	—	23.5	10.5	51	64	76	89	114	139	—
25	12.5	25	37.5	50	75	100	125	23.5	10.5	52	65	77	90	115	140	165

## Constructions

### C□85□20, 25 Rubber bumper



#### Component Parts

No.	Description	Material	Quantity	Remarks
①	Rod cover	Aluminum alloy	1	White anodized
②A	Head cover N	Aluminum alloy	1	White anodized
②B	Head cover E	Aluminum alloy	1	White anodized
②C	Head cover F	Aluminum alloy	1	White anodized
②D	Head cover Y	Aluminum alloy	1	White anodized
③	Cylinder tube	Stainless steel	1	
④	Piston rod	Carbon steel	1	Hard chrome plated
⑤	Piston	Aluminum alloy	1	Chromated
⑥	Plain washer	Carbon steel	1	Nickel plated
⑦	Bushing	Sintered bronze	1	
⑧	Bushing	Sintered bronze	2	

\* Stainless steel (Non-rotating rod)

No.	Description	Material	Quantity	Remarks
⑨	Retaining ring	Carbon steel	1	Nickel plated
⑩	Retaining ring	Carbon steel	2	
⑪	Magnet		1	(Switch style only)
⑫	Wear ring	Phenolic resin	1	
⑬	Bumper A	Urethane	1	
⑭	Bumper B	Urethane	1	
⑮	Piston gasket	NBR	1	
⑯	Rod seal	NBR	1	
⑰	Piston seal	NBR	1	
⑱	Rod end nut	Carbon steel	1	Nickel plated
⑲	Mounting nut	Carbon steel	1	Nickel plated

## Additional information

Catalogue

[C85\\_C75-A\\_EU.pdf](#)