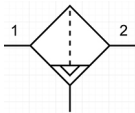


ADH, Heavy Duty Auto Drain ADH4000-F04

Datasheet

General series information

Heavy duty auto drain series ADH4000 can be maintained without changing existing piping. There is no need for electric power and no waste of air. Float style drain allows automatic drain discharge without electric power.

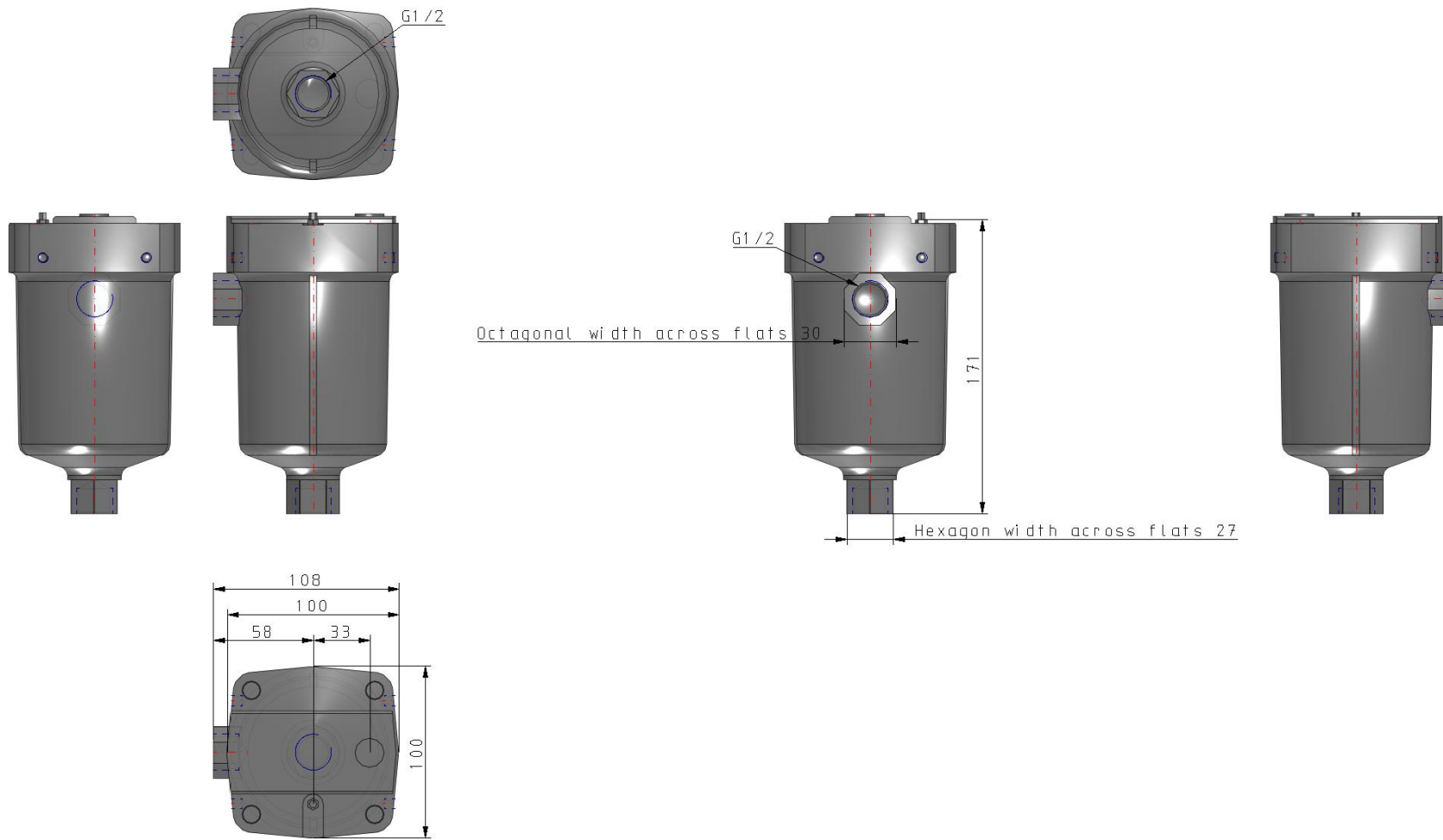


Water trap with automatic drain

Standard specifications

Thread	F (G)
Accessory	None
Pressure medium	Compressed air
Maximum operating pressure	1.6 MPa
Operating pressure for max. vacuum	0.05 to 1.6 MPa
Proof pressure	2.5 MPa
Maximum ambient temperature	60 °C
Minimum ambient temperature	5 °C (with no condensation)
Approvals	No need
Auto drain type	Float type
Auto drain valve type	Normally open: open in case of pressure loss
Max. Drain discharge	400cc/min (Pressure 0.7 MPa, in case of water)
Weight	1.2kg (With bracket: 1.3 kg)
Paint colour	Light grey
Weight	1.200 Kg

Dimensions



Additional information

Catalogue	AD_EU.pdf
Operation manuals	OM_ADH_H39EN-A.pdf