

## VNB (Air Operated), Process Valve for Flow Control EVNB204BS-F15A

Datasheet

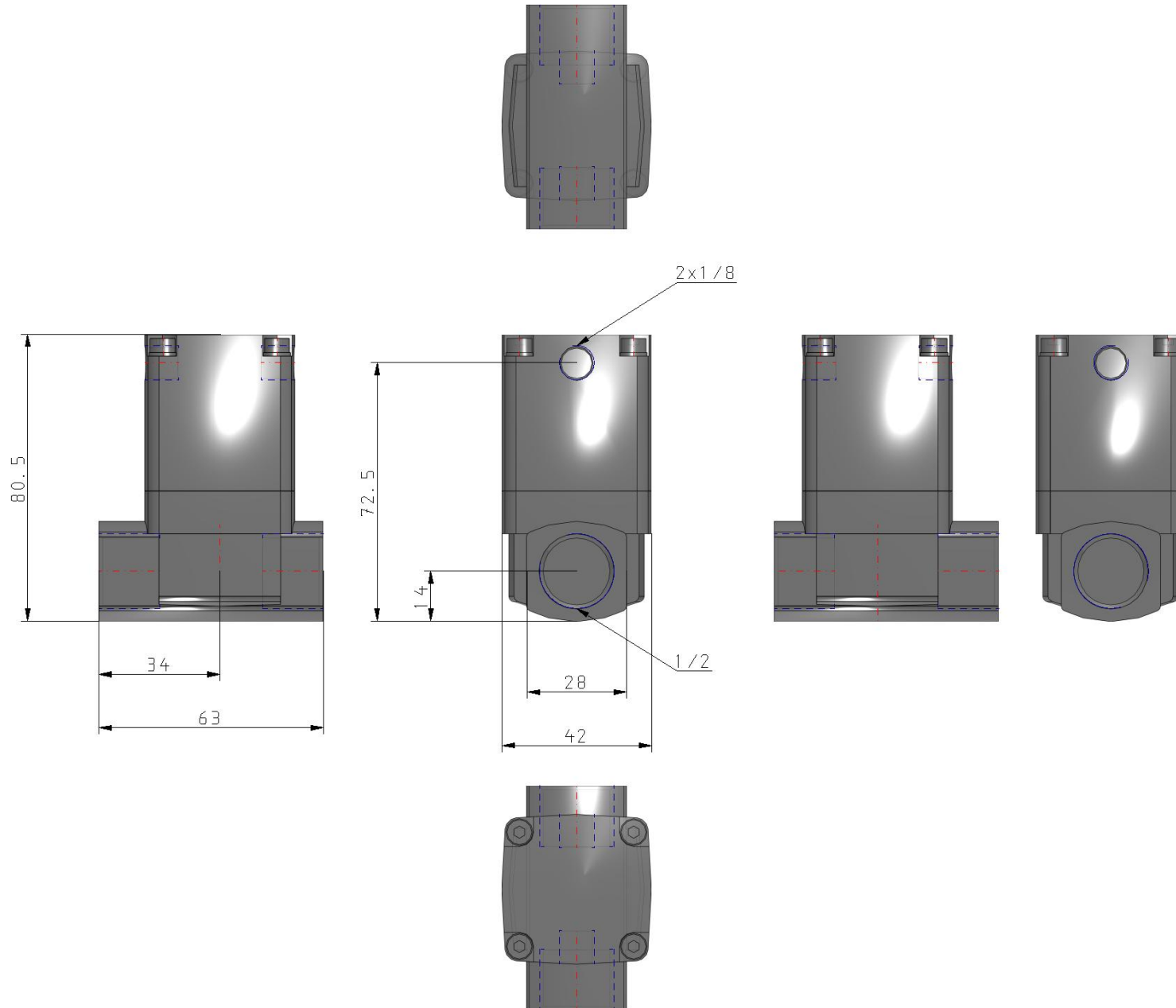
### General series information

- Process valve series VNB
- Air operated type
- Orifice size: 7mm to 50mm
- Port size: 1/8 to 2 Rc(PT)
- Seal material: NBR, FKM, EPR

### Standard specifications

Area Code	E (Europe)
Size	2 [ø15(ø11)]
Valve Type	4 [NC (Operating Pressure 1MPa)]
Sealant	B (FKM Seal)
Body Material	S (Stainless Steel Body)
Pilot System Option	Standard
Thread	F (G(PF))
Port Size	15A (1/2)
Bracket	None
Maximum temperature of pressure medium	99 °C
Minimum temperature of pressure medium	-5 °C
Proof pressure	1.5 MPa
Maximum ambient temperature	60 °C
Minimum ambient temperature	-5 °C
Pressure range	Low vacuum to 1 MPa
External pilot air: Press.	0.25 - 0.7 MPa
External pilot air: Temperature	-5 °C - 60 °C
Weight	0.660 Kg

# Dimensions



## Additional information

Catalogue	<a href="#">VN_EU.pdf</a>
Declaration of conformity	<a href="#">DoC_VNx_TFM0001-B.pdf</a> <a href="#">newDoC_VN_TF1V174EN.pdf</a>
Installation manuals	<a href="#">IM_VNB_TFM92EN-B.pdf</a> <a href="#">IM_VNB_TF2Z301EN.pdf</a>
Operation manuals	<a href="#">OM_VNB_OMA0005EN-D.pdf</a>