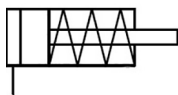


C(D)UJ, Miniature Free Mount Cylinder CDUJB6-4S

Datasheet

- Miniature free mount
- Space saving compact cylinder
- Available in 4mm to 10mm bore size



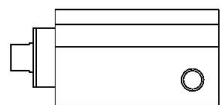
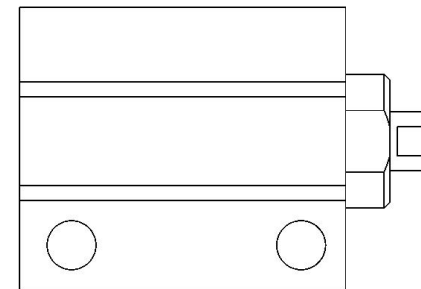
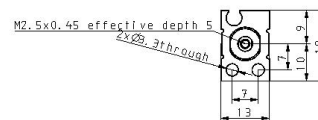
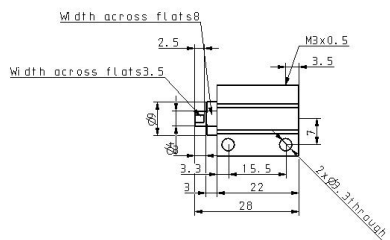
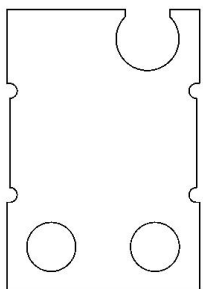
Single-acting cylinder, single piston rod, return stroke by spring

Standard specifications

| | |
|---|---|
| Clean Series | Without Clean Series |
| Magnet | D (Built-in Magnet) |
| Mounting Direction | B (Lateral Mounting) |
| Bore Size | 6 |
| Stroke | 4mm |
| Action | S (Single Acting Spring Return) |
| Rod End Thread | Rod End Female Thread (w/o Thread for ø4) |
| Auto Switch | No Switch |
| Lead Wire or Prewired Connector | 0.5m (Or None in the Case of No Switch) |
| Number | 2 pcs. (Or None in the Case of No Switch) |
| Pressure medium | Air |
| Maximum operating pressure | 0.7 MPa |
| Minimum operating pressure | 0.3 MPa |
| Proof pressure | 1.05 MPa |
| Theoretical cylinder force, advance stroke (at 0.5 MPa) | 14.13 N |
| Theoretical cylinder force, return stroke (at 0.5 MPa) | 7.85 N |
| Femalethread of rod end | Standard |
| Ambient and fluid temperature | -10 to 70 °C |
| Stroke length tolerance | 0 - +0.5 |
| Rod end thread tolerance | JIS class 2 |
| Mounting | Through-hole |

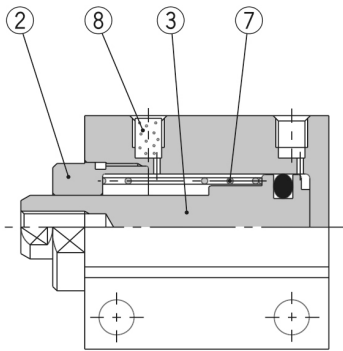
| | |
|--------------|---------------|
| Piston speed | 50 - 500 mm/s |
| Weight | 0.015 Kg |

Dimensions

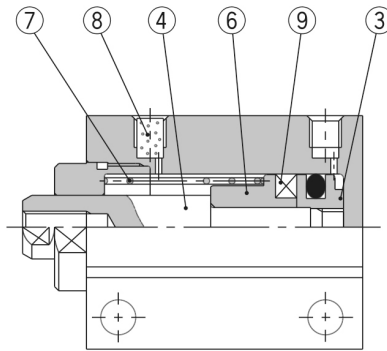


Constructions

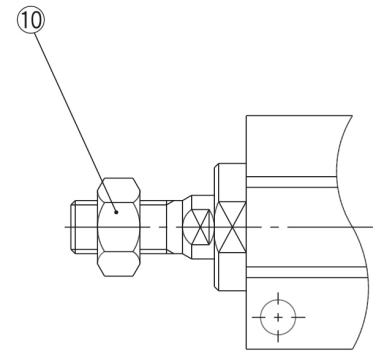
Single Acting, Spring Return



Without magnet



Built-in magnet



Rod end male threaded

Component Parts

| No. | Description | Material | Note |
|-----|------------------------|-----------------------------------|---------------------------|
| 1 | Cylinder tube | Aluminum alloy | Hard anodized |
| 2 | Rod cover | Copper alloy | Electroless nickel plated |
| 3 | Piston | Without switch Stainless steel | |
| | | With switch Aluminum alloy | Chromated |
| 4 | Piston rod | Stainless steel | |
| 5 | Seal retainer | Aluminum alloy | Chromated (CUJB4 only) |
| 6 | Magnet retainer | Aluminum alloy | Chromated |
| 7 | Return spring | Piano wire | |
| 8 | Bronze element | Sintered metallic BC | |
| 9 | Magnet | — | |
| 10 | Rod end nut | Iron | Nickel plated |
| 11 | Piston seal | NBR | |
| 12 | Rod seal | NBR | |
| 13 | Tube gasket | NBR | |

Additional information

| | |
|-------------------|--------------------------------------|
| Catalogue | CUJ-C_EU.pdf |
| Operation manuals | cuj_cuj_-om0001j.pdf |