

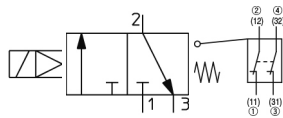
VP542/742-X536, Single Residual Pressure Release Valve, Body ported

VP742-5DZ1-04F-M-X536

Datasheet

General series information

- Safety Standards ISO13849-1 for Category 2
- Valve position energised/de-energised can be detected.

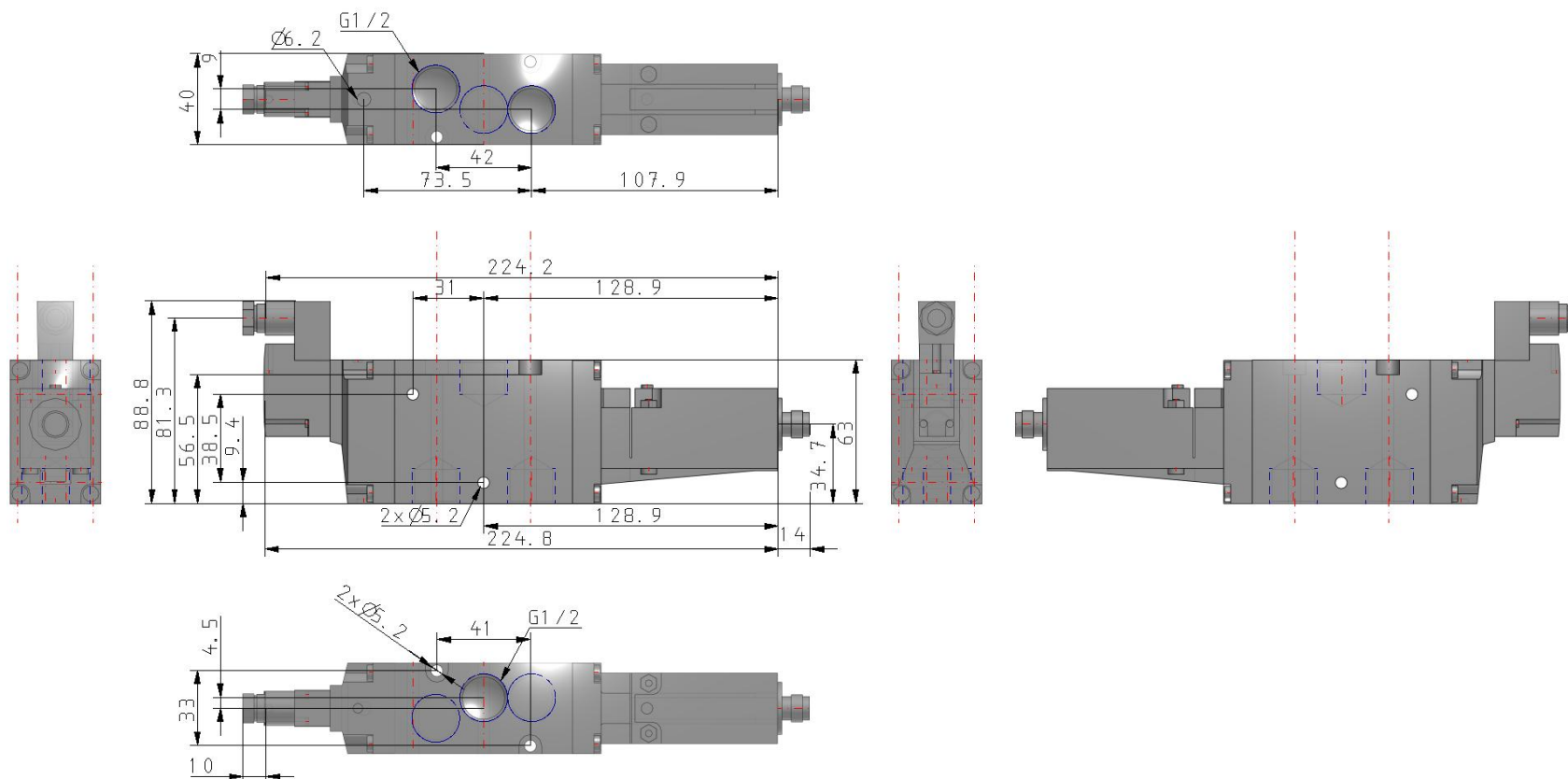


Directional control valve 3/2-way valve, closed normal position with a combined control by solenoid valve and pilot valve and with a safety limit switch, made by OMRON

Standard specifications

Series	VP700
Pilot	Internal Pilot
Electrical Entry	D (DIN Terminal)
Port Size	04 (1/2)
Thread	F (G)
Switch Electrical Entry	M (M12 - OMRON)
Check Valve	None
Pressure medium	Air
Maximum operating pressure	0.7 MPa
Minimum operating pressure	0.25 MPa
Maximum ambient temperature	50 °C
Minimum ambient temperature	-10 °C
Enclosure	IP65
Maximum operating frequency	30 cycles/minute
Minimum operating frequency	1 cycle/week
Weight	0.590 Kg

Dimensions



Additional information

Catalogue

[VP-VG-B_EU.pdf](#)

Installation manuals

[IM_VP500_TF2Z495EN.pdf](#)