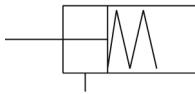


C(D)QS, Compact Cylinder, Single Acting, Single Rod CDQSB12-10TM

Datasheet

General series information

- Spring extend or spring return
- Bore sizes in mm: 12, 16, 20, 25
- Strokes: 5mm & 10mm
- Mounts: through hole, both ends tapped, foot, front or rear flanges
- Variety of switches and a variety of lead wire lengths



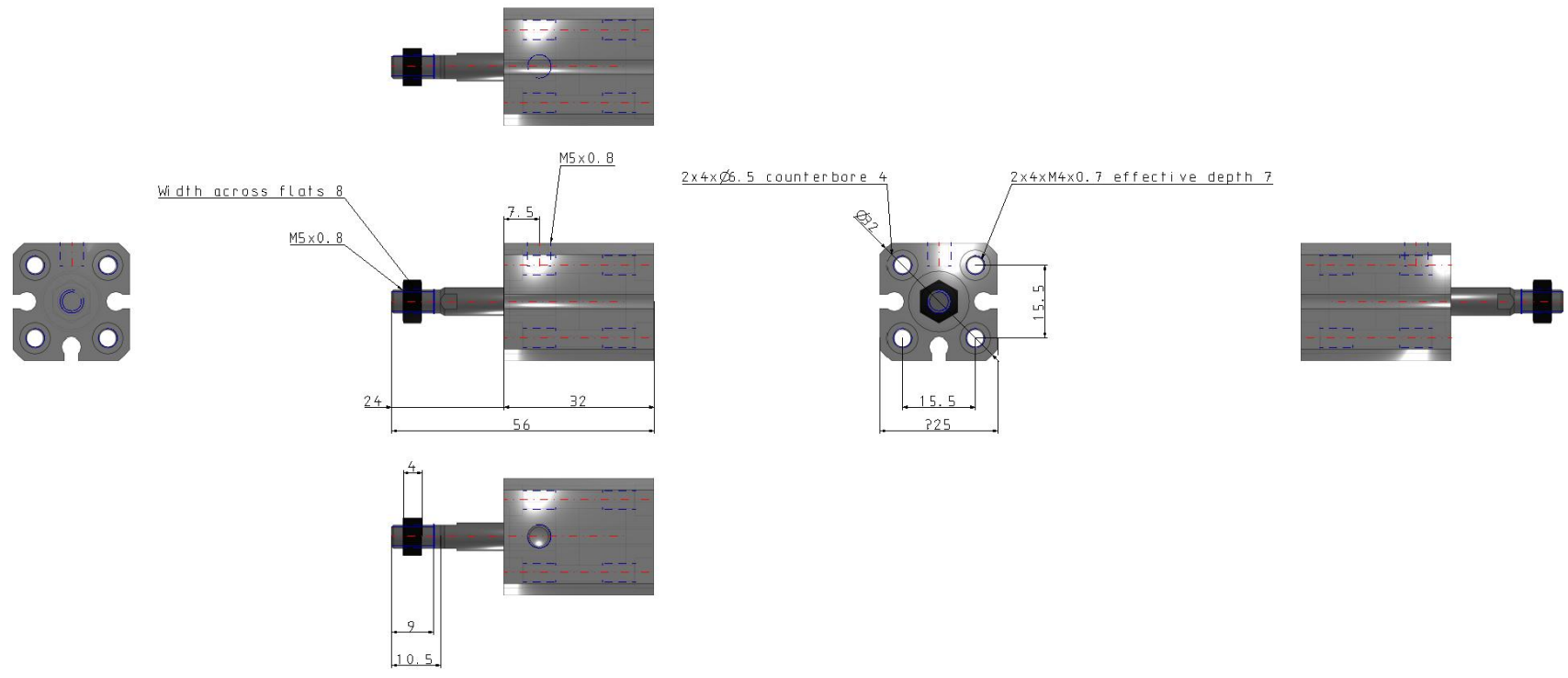
Single-acting cylinder, single piston rod, stroke by spring, return stroke by air pressure

Standard specifications

| | |
|--|---|
| Magnet | D (Built-in) |
| Mounting | B (Through Hole, Both Ends Tapped) |
| Bore Size | Ø12 mm |
| Stroke | 10 mm |
| Action | T (Single Acting Spring Extend) |
| Option | M (Rod End Male Thread) |
| Auto Switch | No Switch |
| Lead Wire or Prewired Connector | 0.5 m (Or None in the Case of No Switch) |
| Number | 2 pcs. (Or None in the Case of No Switch) |
| Rod End Options | None |
| Pressure medium | Air |
| Maximum temperature of pressure medium | 60 °C |
| Minimum temperature of pressure medium | -10 °C |
| Maximum operating pressure | 1.0 MPa |
| Minimum operating pressure | 0.25 MPa |
| Proof pressure | 1.5 MPa |
| Maximum ambient temperature | 60 °C |
| Minimum ambient temperature | -10 °C |

| | |
|--|------------------------------|
| Number of pneumatic connections | 1 pc. |
| Pneumatic input connection | M5 |
| Mode of operation of drive single | Single acting, spring extend |
| Theoretical cylinder force, return stroke (at 0.5 MPa) | 31 N |
| Maximum piston speed | 500 mm/s |
| Piston rod end | External thread |
| Geometric form of the piston rod | Round piston rod |
| Male thread of rod end | M5 |
| Minimum piston speed | 50 mm/s |
| Lubrication | Non-lube |
| Weight | 0.040 Kg |

Dimensions



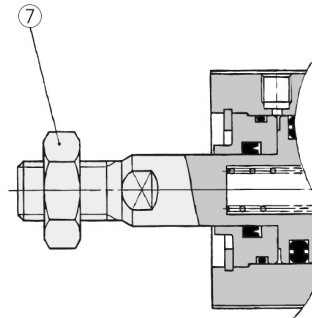
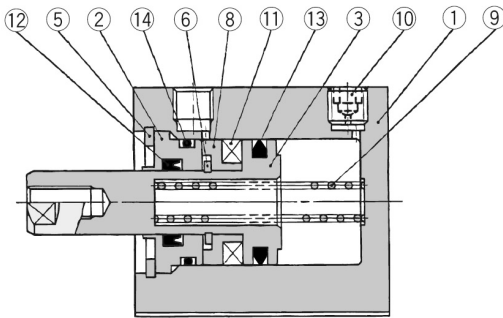
Specifications are subject to change without prior notice and any obligation on the part of the manufacturer.

Constructions

Construction

Single acting/Spring extend/With auto switch
(Built-in magnet)
ø12, ø16

Rod end nut



Component Parts

| No. | Description | Material | Note |
|-----|-------------------------|-------------------------|-------------------|
| 1 | Cylinder tube | Aluminium alloy | Hard anodised |
| 2 | Collar | Aluminium bearing alloy | Anodised |
| 3 | Piston | Aluminium alloy | Spring return |
| | | Stainless steel | Spring extend |
| 5 | Snap ring | Carbon tool steel | Phosphate coating |
| 6 | Snap ring | Carbon tool steel | Nickel plated |
| 7 | Rod end nut | Carbon steel | Nickel plated |
| 8 | Switch spacer | Aluminium alloy | Chromated |
| 9 | Return spring | Piano wire | Zinc chromated |
| 10 | Plug with fixed orifice | Alloy steel | Nickel plated |
| 11 | Magnet | — | |
| 12 | Rod seal | NBR | |
| 13 | Piston seal | NBR | |
| 14 | Tube gasket | NBR | |

Additional information

Catalogue

[CQS_EU.pdf](#)