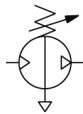


## VBA10/11A, Booster Regulator VBA11A-02GLN

Datasheet

### General series information

- Service life increased.
- Noise reduced.
- Condensation reduced.
- Reliability improved.

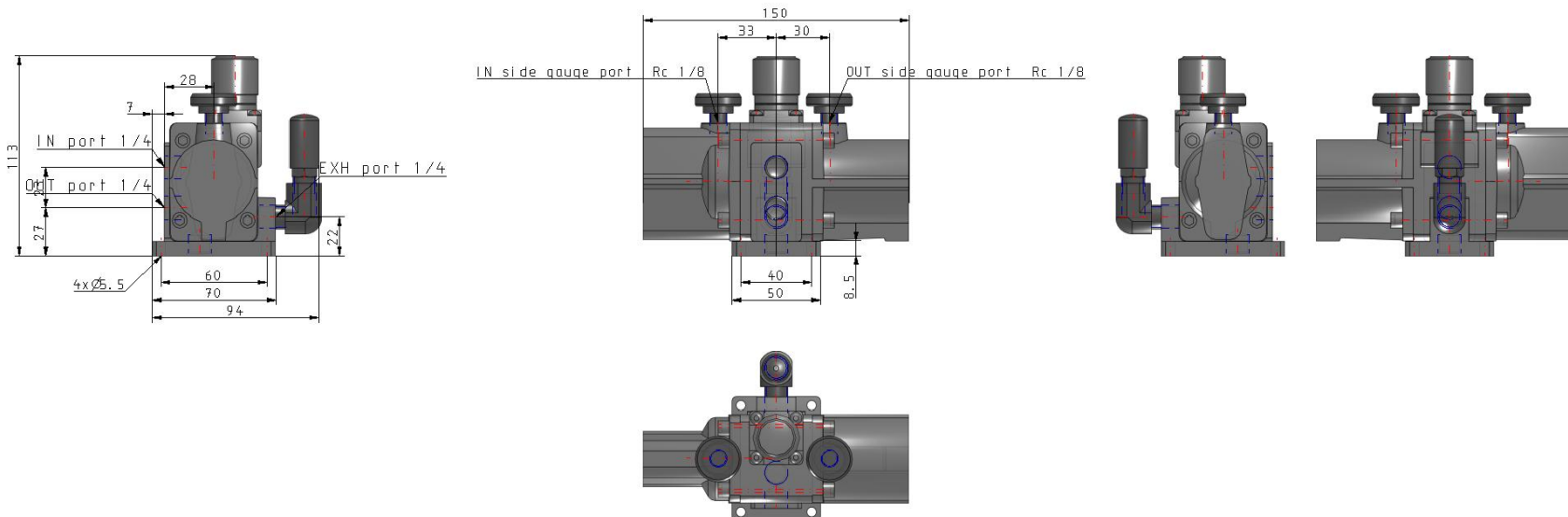


*Pneumatic booster regulator, handle operated*

### Standard specifications

Body Size	11A (1/4, Handle-operated Type, Pressure Increase Ratio 2 to 4 Times)
Thread Type	Rc (PT)
Option	GLN (Pressure Gauge [2 pcs.] + Elbow Silencer)
Semi-standard	Standard
-	Compressed Air
Maximum operating pressure	1.0 MPa
Minimum operating pressure	0.1 MPa
Proof pressure	3.0 MPa
Set pressure range	0.2 to 2.0 MPa
Port size	Rc 1/4
Pressure increase ratio	2 to 4 times
Pressure adjustment mechanism	Handle-operated with relief mechanism
Max. Flow rate (l/min (ANR))	70 (l/min (ANR))
Supply pressure range (MPa)	0.1 to 1.0 MPa
Pressure gauge port size (Rc) (IN/OUT: 2 locations)	Rc 1/8
Installation	Horizontal
Lubrication	Grease (Non-lube)
Weight	0.918 Kg

# Dimensions



## Additional information

Catalogue	<a href="#">VBA-VBAT_Dd_EU.pdf</a>
Operation manuals	<a href="#">OM_VBA-OM-L007-E_EN.pdf</a> <a href="#">OM_VBA-MM-N016-E_EN.pdf</a> <a href="#">OM_VBA10A_N010EN-E.pdf</a>