

MGQM (ø12 to ø32), Compact Guide Cylinder, Slide Bearing

MGQM20-175

Datasheet

General series information

- Compact guide cylinder
- Bore sizes: 12, 16, 20, 25, 32 (mm)
- Strokes from 10mm through 200mm depending upon bore size
- Variety of switches and a variety of lead wire lengths.



Double-acting, single-rod cylinder

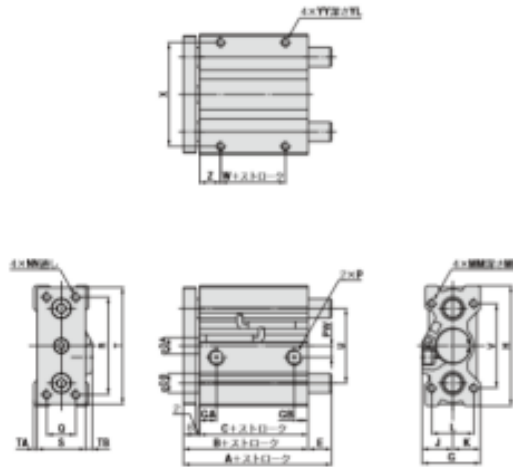
Standard specifications

Bore Size	20 mm
Thread Type	Metric (Bore ø12 to ø16) & Rc(PT)
Stroke	175
Auto Switch	No Switch
Lead Wire or Prewired Connector	0.5m (Or None in the Case of No Switch)
Number	2 pcs. (Or None in the Case of No Switch)
Rod End Options	None
Temperature Resistance	None
Low Speed	None
Fluororubber Seal	None
Pressure medium	Air
Maximum temperature of pressure medium	60 °C
Minimum temperature of pressure medium	-10 °C (No freezing)
Maximum operating pressure	1.0 MPa
Minimum operating pressure	0.1 MPa
Proof pressure	1.5 MPa
Maximum ambient temperature	60 °C
Minimum ambient temperature	-10 °C (No freezing)
Number of pneumatic connections	2 pcs.

Pneumatic input connection	Rc 1/8
Mode of operation of drive	Double acting
Theoretical cylinder force, advance stroke (at 0.5 MPa)	157 N
Theoretical cylinder force, return stroke (at 0.5 MPa)	118 N
Maximum piston speed	500 mm/s
Type of cushioning	Rubber bumper on both ends
Minimum piston speed	50 mm/s
Non-rotating accuracy of plate	$\pm 0.07^\circ$
Lubrication	Non-lube
Weight	1.540 Kg

Dimensions

∅12~∅25 / MGQM·MGQL


MGQM, MGQL 共通寸法表 (mm)

シリーズ 径 (mm)	標準ストローク (mm)	B	C	DA	G	GA	GB	H	J	K	L	MM	ML	NN	P			PW	G	R	
															溝径	YN	YF				
12	10, 20, 30, 40, 50, 75, 100	39	29	6	29	11	7.5	50	16	13	10	M4×0.7	10	M4×0.7	M5×0.8	—	—	—	7	14	40
16	—	43	33	8	33	11	8	64	18	15	22	M5×0.8	13	M5×0.8	M6×0.8	—	—	—	5	16	52
20	20, 30, 40, 50, 75, 100	47	37	10	36	10.5	8.5	74	19	17	26	M6×0.8	13	M6×0.8	R-L: B NPT: L: B	R-L: B NPT: L: B	R-L: B NPT: L: B	G: L: B	7	18	60
25	125, 150, 175, 200	47.5	37.5	12	42	11.5	9	86	21	21	32	M6×1.0	15	M6×1.0	R-L: B NPT: L: B	R-L: B NPT: L: B	R-L: B NPT: L: B	G: L: B	8	26	70

シリーズ 径 (mm)	S	T	TA	TB	U	V	W	X	YY	YL	Z
12	27	56	2	5	36	40	5	50	M4×0.7	7	12
16	25	62	2	5.5	38	42	7	54	M5×0.8	8	13
20	30	72	2	4	46	52	10	64	M6×0.8	8	13
25	36	86	2	2	56	62	10	76	M6×1.0	9	14

MGQM (すべり軸受) / A, DB, E寸法 (mm)

シリーズ 径 (mm)	A		DB		E	
	50mm以下	50mmを超え	50mm以下	50mmを超え	50mm以下	50mmを超え
12	39	8	8	0	—	—
16	43	10	10	0	—	—
20	47	61.5	12	0	14.5	—
25	47.5	62	16	0	14.5	—

MGQL (ボールプッシュ軸受) / A, DB, E寸法 (mm)

シリーズ 径 (mm)	A		DB		E	
	30mm以下	30mmを超え	30mm以下	30mmを超え	30mm以下	30mmを超え
12	43	95	6	6	4	16
16	49	95	8	6	22	—
20	57	74	10	10	27	—
25	63.5	79.5	13	16	32	—

注) 標準ストローク以外の中間ストロークについては2/5/10の中間ストロークの値を参考にしてください。
 - シュート径12, 16, 20, 25mmは標準ストロークは10mmです。
 - シュート径20, 25mmは標準ストロークは15mmです。

Additional information

Catalogue

[MGQ_EU.pdf](#)