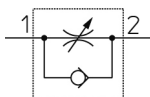


## In-line - AS\*2F-A AS2002F-06A

### Datasheet

### General series information

- Applicable Tubing O.D.: Ø 3.2 to Ø 12 mm and Ø 1/8" to Ø 1/2"
- Operating Pressure Range: 0.1 to 1 MPa.



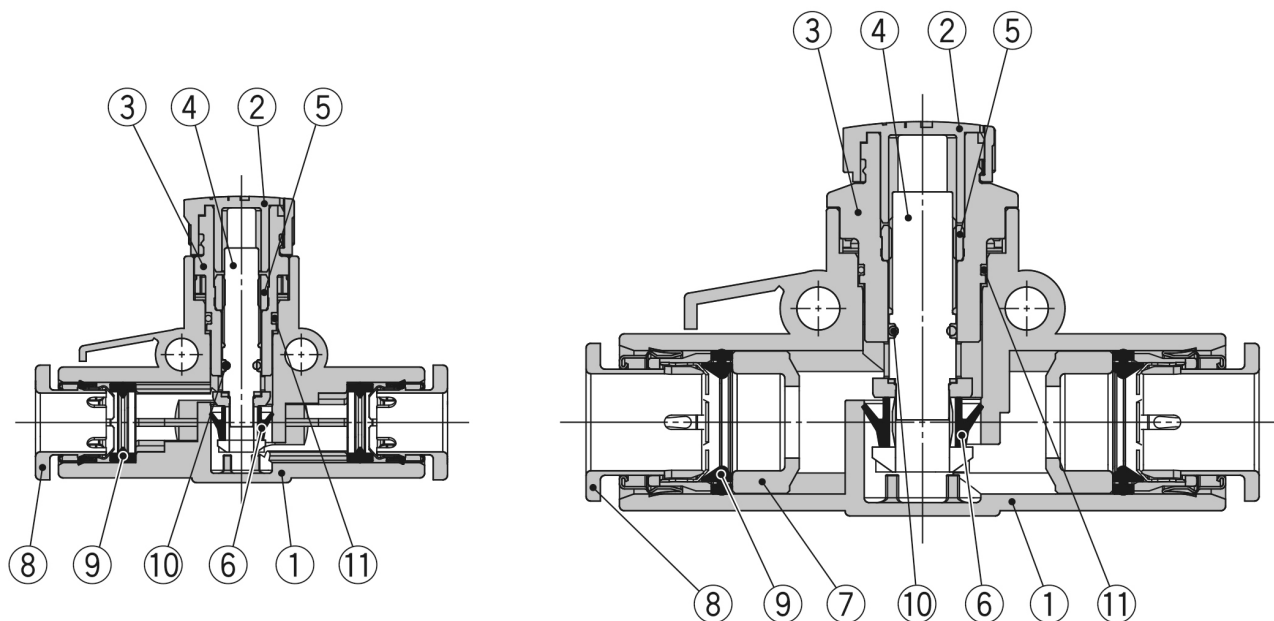
Flow control valve, adjustable, with reverse free flow

### Standard specifications

|                             |   |
|-----------------------------|---|
| Body Size                   | 200 (1/8 Standard)                        |
| Applicable Tube O.D.        | 06 (ø6)                                   |
| Pressure medium             | Air                                       |
| Maximum operating pressure  | 1 MPa                                     |
| Minimum operating pressure  | 0.1 MPa                                   |
| Proof pressure              | 1.5 MPa                                   |
| Maximum ambient temperature | 60 °C                                     |
| Minimum ambient temperature | -5 °C                                     |
| Applicable tubing material  | Nylon, Soft nylon, Polyurethane, FEP, PFA |
| Weight                      | 0.009 Kg                                  |



## Constructions



### Component Parts

| No. | Description         | Material | Note                       |
|-----|---------------------|----------|----------------------------|
| 1   | <b>Body A</b>       | PBT      |                            |
| 2   | <b>Knob</b>         | POM      |                            |
| 3   | <b>Body B</b>       | PBT      |                            |
| 4   | <b>Needle</b>       | PBT      |                            |
| 5   | <b>Needle guide</b> | Brass    | Electroless nickel plating |
| 6   | <b>U-seal</b>       | HNBR     |                            |
| 7   | <b>Spacer</b>       | PBT*1    |                            |
| 8   | <b>Cassette</b>     | —        |                            |
| 9   | <b>Seal</b>         | NBR      |                            |
| 10  | <b>O-ring</b>       | NBR      |                            |
| 11  | <b>O-ring</b>       | NBR      |                            |

\*1 The AS3002F-11A, AS4002F-11A, AS4002F-13A are made of electroless nickel plated brass.

## Additional information

Catalogue

[AS-B\\_in-line\\_EU.pdf](#)