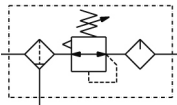


AC20-B to AC60-B, Modular Type, Air Filter + Regulator + Lubricator AC20-F01G-B

Datasheet

General series information

- Filter + Regulator + Lubricator.
- Body size: 20, 25, 30, 40, 50, 55, 60.
- Port Size: 1/8, 1/4, 3/8, 1/2, 3/4, 1.
- Max. operating pressure: 1.0 MPa.
- Attachments.



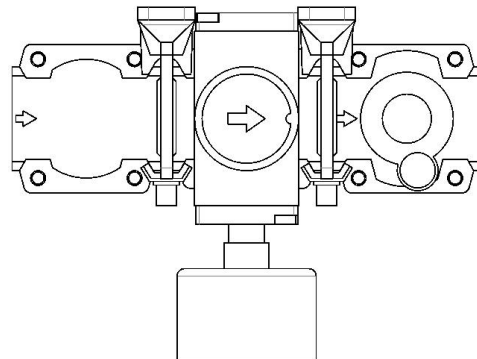
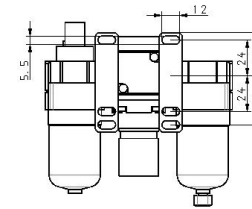
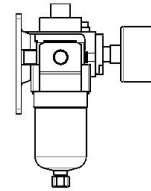
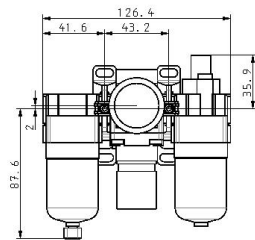
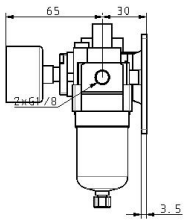
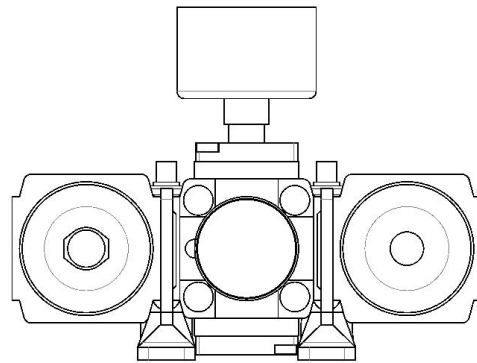
*Air combination, Air filter, regulator and
Lubricator*

Standard specifications

Body Size	20
Thread	F (G)
Port	01 (1/8)
Float type auto drain	Without Auto drain
Pressure gauge / Digital pressure switch	G (Round Pressure Gauge w/Limit Indicator)
Check Valve	Without
Pressure Switch	Without
T Spacer	Without
Residual Pressure Relief 3 Port Valve	Without
Set pressure	Standard (0.05 to 0.85 MPa)
Bowl type + Drain Cock for Lubricator	Standard (Polycarbonate Bowl + Lubricator without Drain Cock)
Bowl Guard	Without
Filter Regulator Drain Port	Standard
Exhaust Mechanism	Relieving
Flow Direction	Standard (Flow Direction: Left->Right)
Drain Cock w/Barb Fitting	Without Barb Fitting

Pressure Units	Standard (Name Plate, Caution Plate for Bowl, and Pressure Gauge: MPa)
Pressure medium	Air
Maximum temperature of pressure medium	60 °C
Minimum temperature of pressure medium	-5 °C (with no freezing)
Maximum operating pressure	1.0 MPa
Proof pressure	1.5 MPa
Maximum ambient temperature	60 °C
Minimum ambient temperature	-5 °C (with no freezing)
Drain Capacity	8cm ³
Oil capacity	7 cm ³
Weight	0.438 Kg

Dimensions



Additional information

Catalogue	AC-B-B_EU.pdf
Installation manuals	IM_AR-B_TF2Z394EN.pdf
Operation manuals	OM_AR-B_OMS0056EN.pdf OM_ARxK-B_OMT0015EN.pdf OM_AC-B_OMT0014EN-A.pdf