

D-M9N/M9P/M9B, Solid State Switch, Direct Mounting, Grommet, In-line D-M9B

Datasheet

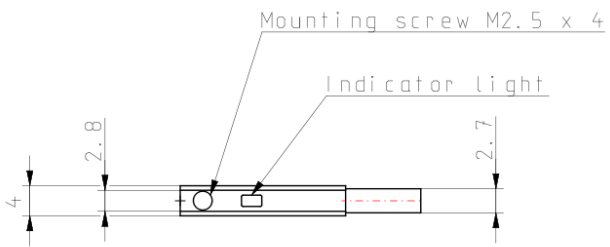
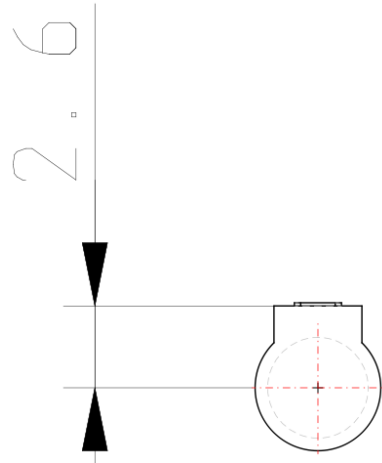
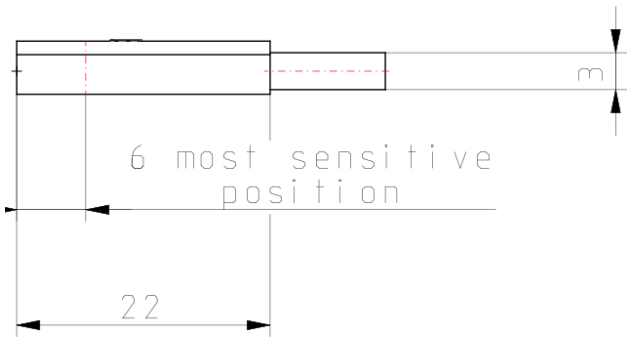
General series information

- Electrical entry: Grommet.
- Application Load: IC circuit/Relay/PLC, 24V DC Relay/PLC.
- Power voltage: 5/12/24V DC (4.5 to 28V DC).
- Load current: 5 to 40mA.

Standard specifications

Model	M9B (2-wire)
Lead Wire Length	0.5 m
Approvals	CE
Electrical entry direction	In-line
Applicable load	24 VDC relay, PLC
Load voltage	24 VDC (10 to 28 VDC)
Load current	2.5 to 40 mA
Internal voltage drop	4 V or less
Wiring type	2-wire
Leakage current	0.8 mA or less
Weight	0.007 Kg

Dimensions



Additional information

Catalogue	D_EU.pdf
Declaration of conformity	newDoC_D-xS_TF1Y230EN.pdf DoC_D-x_TFG0001-G.pdf newDoC_D-xS_TF1V225EN.pdf
Operation manuals	OM_D-M9xx_OMJ0004EN-G.pdf OM_D-M9xJx_OMS0002EN-B.pdf OM_D-M9xx_OMG0002EN-E.pdf d-m9_op_man_d-_s-omg0002-a.pdf