

## Elbow - AS\*2\*1F-A AS2201F-G02-06A

### Datasheet

### General series information

- Port Size: M5, 10-32 UNF, 1/8, 1/4, 3/8, 1/2
- Applicable Tubing O.D.: Ø 2 to Ø 16 mm and Ø 1/8" to Ø 1/2"
- Operating Pressure Range: 0.1 to 1 MPa.



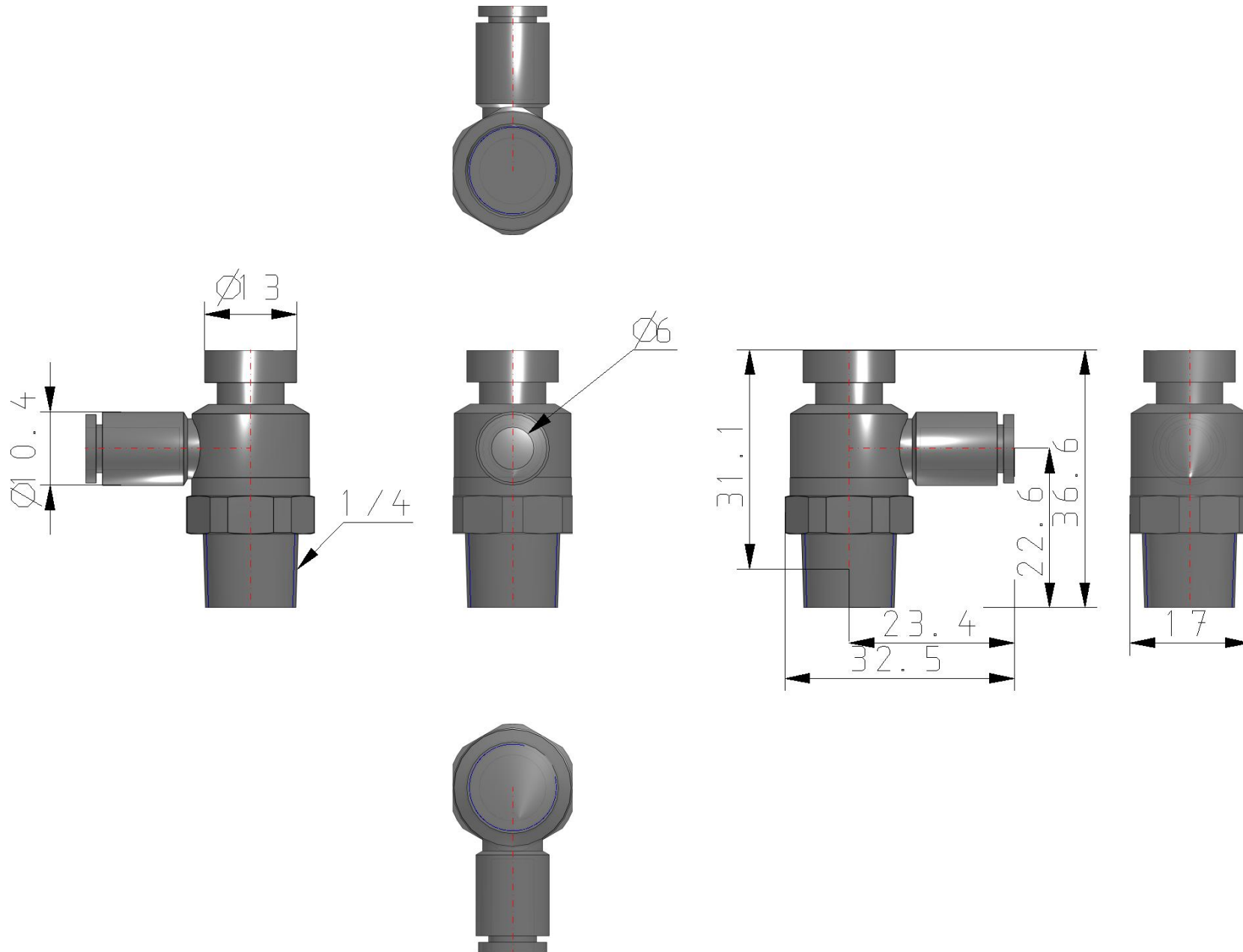
Flow control valve, adjustable, with reverse free flow

### Standard specifications

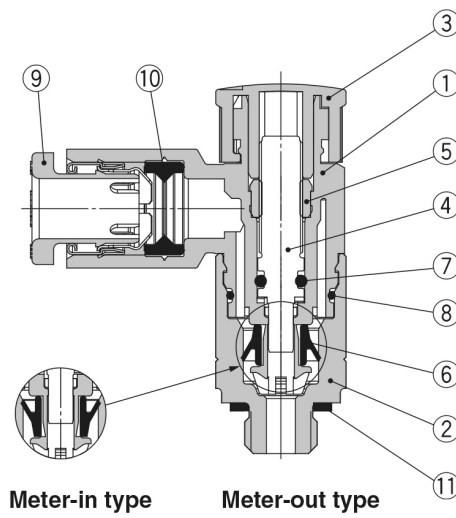
Clean Series	None
Body Size	2 (1/8, 1/4)
Type	2 (Elbow)
Control Type	0 (Meter-out)
Thread Type	G (G)
Port Size	02 (1/4)
Across Flat [H]	Body Size 1: 9mm; Body Size 2, 3, 4 None
Applicable Tubing O.D.	Ø6
Seal	None
Made to Order	None
Pressure medium	Compressed air
Maximum temperature of pressure medium	60 °C
Minimum temperature of pressure medium	-5 °C
Maximum operating pressure	1 MPa
Minimum operating pressure	0.1 MPa
Proof pressure	1.5 MPa
Maximum ambient temperature	60 °C
Minimum ambient temperature	-5 °C
Critical pressure ratio	0.3
Sonic conductance dm <sup>3</sup> /(s·bar)	1.3

Number of needle rotations	10
Weight	0.017 Kg

# Dimensions



## Constructions



### Component Parts

No.	Description	Material	Note
1	<b>Body A</b>	PBT	
2	<b>Body B</b>	Brass	Electroless nickel plating
3	<b>Knob</b>	POM	
4	<b>Needle</b>	PBT	
5	<b>Needle guide</b>	Brass	Electroless nickel plating
6	<b>U-seal</b>	HNBR	
7	<b>O-ring</b>	NBR	
8	<b>O-ring</b>	NBR	
9	<b>Cassette</b>	—	
10	<b>Seal</b>	NBR	
11	<b>Gasket</b>	NBR/Stainless steel	

## Additional information

Catalogue

[AS-1F\\_FG-A-Dd\\_EU.pdf](#)