

Standard - MHF2 MHF2-8D

Datasheet

General series information

- Maximum gripping force per finger 141 N at 0.5 MPa
- Double acting
- Repeatability: ± 0.05 mm
- Max. operating frequency: 120 c.p.m.



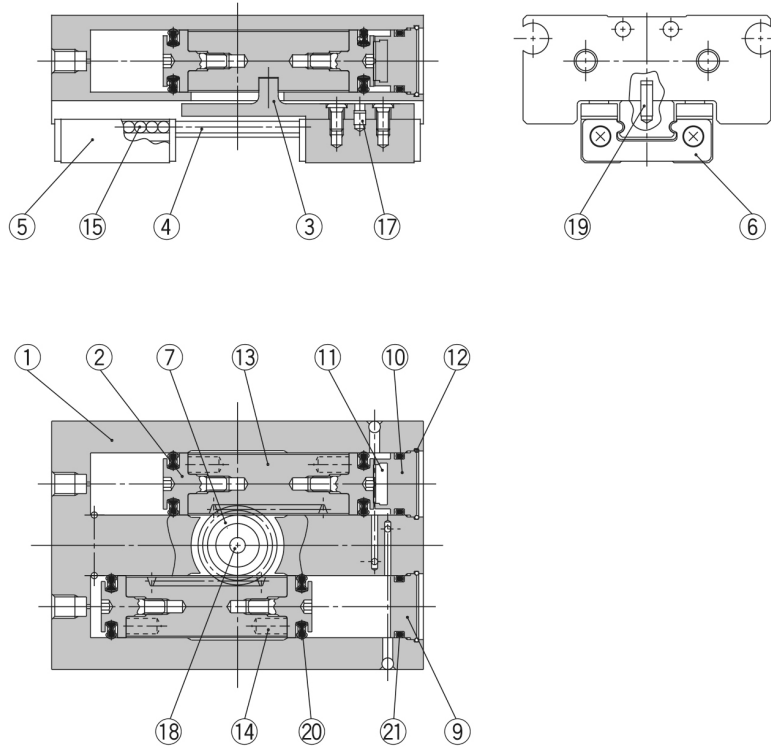
Gripper, external grip, double-acting with permanent magnet on piston

Standard specifications

Bore Size	8mm
Opening & Closing Stroke	Short Stroke
Body Option	Axial Direction Ported
Auto Switch	No Switch
Lead Wire or Prewired Connector	0.5m (Or None in the Case of No Switch)
Number	2 pcs (Or None in the Case of No Switch)
Option	None
Stroke Adjustable Side	None
Stroke Adjustable Width	None
Pressure medium	Air
Maximum temperature of pressure medium	60 °C
Minimum temperature of pressure medium	-10 °C (No freezing)
Maximum operating pressure	0.7 MPa
Minimum operating pressure	0.15 MPa
Maximum ambient temperature	60 °C
Minimum ambient temperature	-10 °C (No freezing)
Number of pneumatic connections	2 pcs.
Pneumatic input connection	M3
Pneumatic exhaust connection	M3

Repeatability	± 0.05 mm
Lubrication	Non-lube
Type of gripper	Parallel
Number of fingers	2
Mode of operation	Double acting
Maximum operating frequency	120 c.p.m.
Effective holding force per finger (0.5 MPa)	19 N
Opening / closing stroke (both sides)	8 mm
Weight	0.065 Kg

Constructions



Parts list

No.	Description	Material	Note
1	Body	Aluminium alloy	Hard anodized
2	Piston	Stainless steel	
3	Joint	Stainless steel	Heat treatment
4	Guide rail	Stainless steel	Heat treatment
5	Finger	Stainless steel	Heat treatment
6	Roller stopper	Stainless steel	
7	Pinion	Carbon steel	Nit riding
9	Cap B	Aluminium alloy	Clear anodized
10	Cap C	Aluminium alloy	Clear anodized

Parts list

No.	Description	Material	Note
11	Head damper	Urethane rubber	
12	Clip	Stainless steel wire	
13	Rack	Stainless steel	Nit riding
14	Magnet	Rare earth magnet	Nickel plated
15	Steel balls	High carbon chromium bearing steel	
17	Roller	High carbon chromium bearing steel	
18	Needle roller	High carbon chromium bearing steel	
19	Parallel pin	Stainless steel	
20	Piston seal	NBR	
21	Gasket	NBR	

Additional information

Catalogue

[MHF2-B_EU.pdf](#)

Operation manuals

[OM_MHF2_OMF0021EN-A.pdf](#)