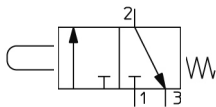


## VM100, 100 Series 2/3 Port Mechanical Valve VM130-F01-00A

Datasheet

### General series information

- Fluid: Air/Inert gas.
- Compact size.
- Piping options: Side ported, Bottom ported.
- Possible to choose mounting method with side ported.
- Variety of actuator types.



*Directional control valve 3/2-way valve, closed normal position With mechanical control plunger Return with mechanical control spring*

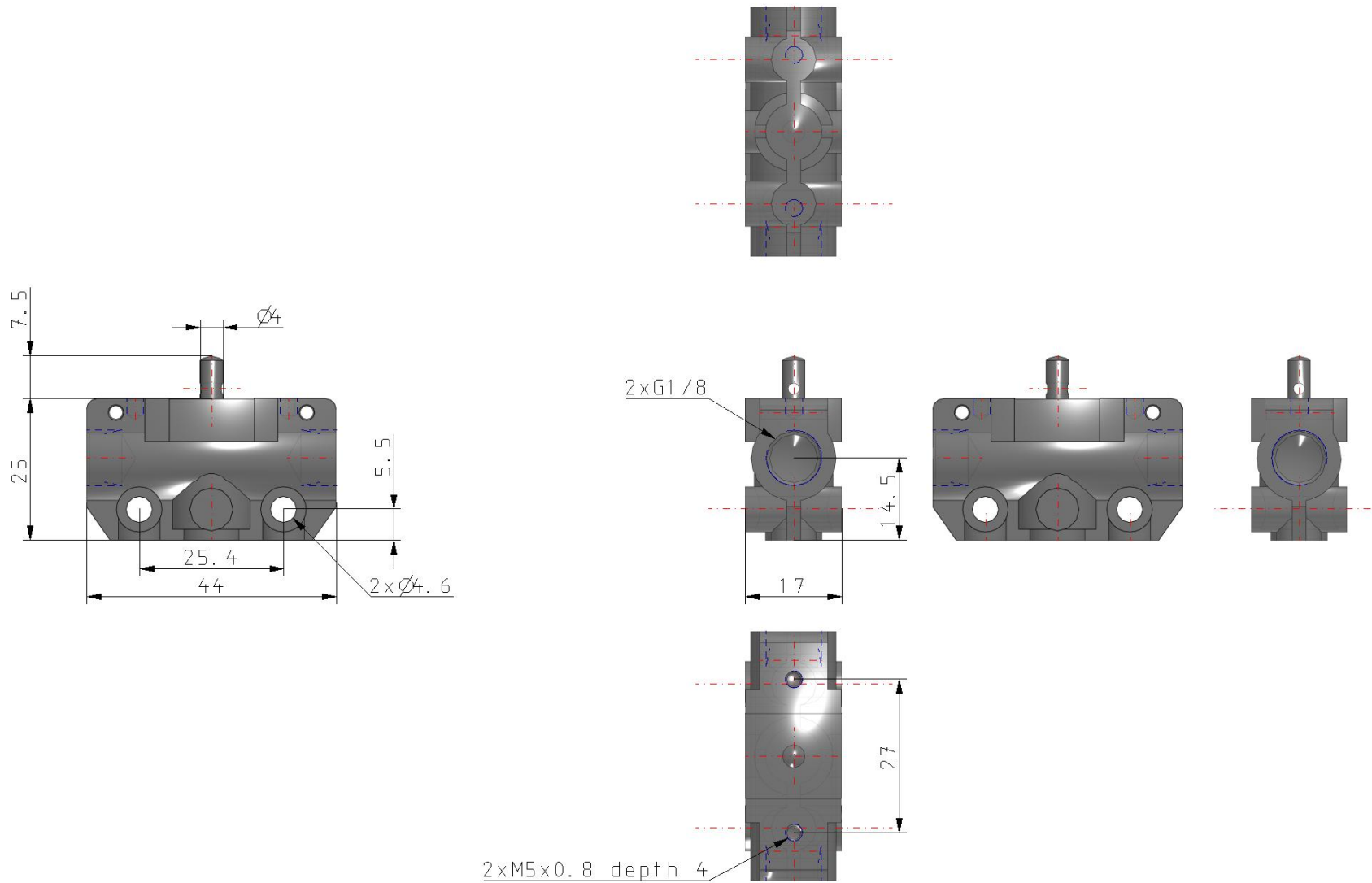
### Standard specifications

|  |                              |
|--|------------------------------|
| Number of Ports                        | 3 Port                       |
| Piping Direct., Plunger Length         | 0 (Side Ported Long)         |
| Body Option                            | Side Mounting                |
| Port Size                              | F01 (G 1/8) Side Ported Only |
| Actuator Type                          | 00 (Basic)                   |
| Suffix                                 | None                         |
| Indicator                              | None                         |
| Bracket                                | None                         |
| Pressure medium                        | Air/Inert gas                |
| Maximum temperature of pressure medium | 60 °C                        |
| Minimum temperature of pressure medium | -5 °C (No freezing)          |
| Maximum operating pressure             | 1.0 MPa                      |
| Minimum operating pressure             | -100 kPa                     |
| Maximum ambient temperature            | 60 °C                        |
| Minimum ambient temperature            | -5 °C (No freezing)          |
| Pneumatic input connection             | G 1/8                        |
| Pneumatic exhaust connection           | G 1/8                        |
| Function in normal position            | Exhausted                    |

|  |                   |
|--|-------------------|
| Type of piloting                           | Directly          |
| Valve return                               | Mechanical spring |
| Flow rate                                  | 144 l/min         |
| Critical pressure ratio                    | 0.2               |
| Sonic conductance dm <sup>3</sup> /(s·bar) | 0.6               |
| Actuation type                             | Mechanically      |
| Weight                                     | 0.060 Kg          |

Specifications are subject to change without prior notice and any obligation on the part of the manufacturer.

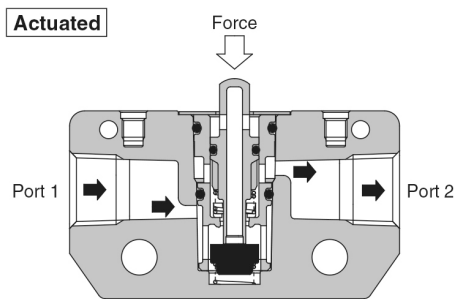
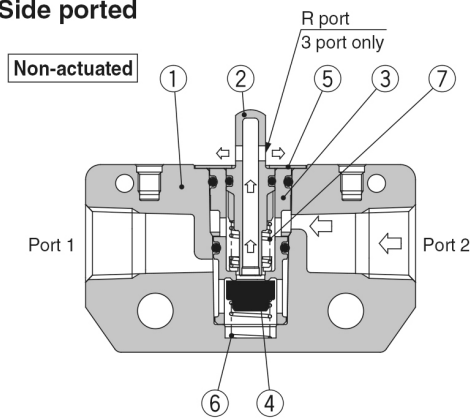
# Dimensions



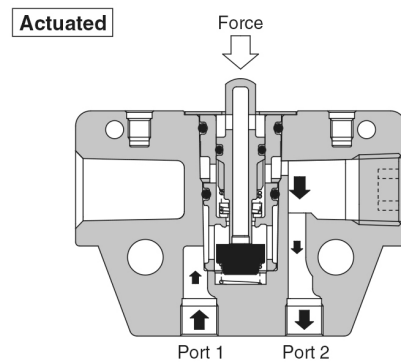
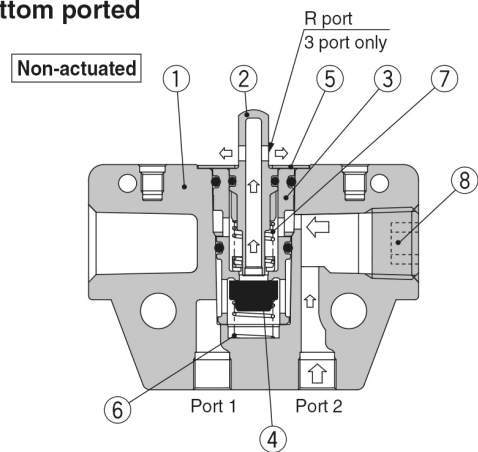
Specifications are subject to change without prior notice and any obligation on the part of the manufacturer.

## Constructions

### Side ported



### Bottom ported



### Component Parts

| No. | Description | Material   | Note         |       |
|-----|-------------|------------|--------------|-------|
| 1   | Valve       | ZDC        | White coated |       |
| 2   | Plunger     | Polyacetal | 2 port       | Grey  |
|     |             |            | 3 port       | White |
| 3   | Valve sheet | PBT        |              |       |
| 4   | Valve       | NBR        |              |       |

| No. | Description                    | Material        | Note |
|-----|--------------------------------|-----------------|------|
| 5   | Plunger retainer               | Stainless steel |      |
| 6   | Spring                         | Stainless steel |      |
| 7   | Spring                         | Spring steel    |      |
| 8   | Hexagon socket head taper plug | Rolled steel    |      |

## Additional information

|                      |  |
|----------------------|--|
| Catalogue            | <a href="#">VM100-200-A_EU.pdf</a>       |
| Installation manuals | <a href="#">IM_VM100_TF2Z478EN-C.pdf</a> |