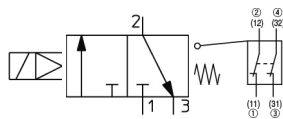


VP544/744-X538, Dual Residual Pressure Release Valve, 3 port Solenoid Valve, ISO13849-1 VP744-5DZ1-04F-M-X538

Datasheet

General series information

- Safety Standards ISO13849-1 for Category 3 and 4
- Valve position energised/de-energised can be detected
- Redundancy
- Modular connection to FRL unit.

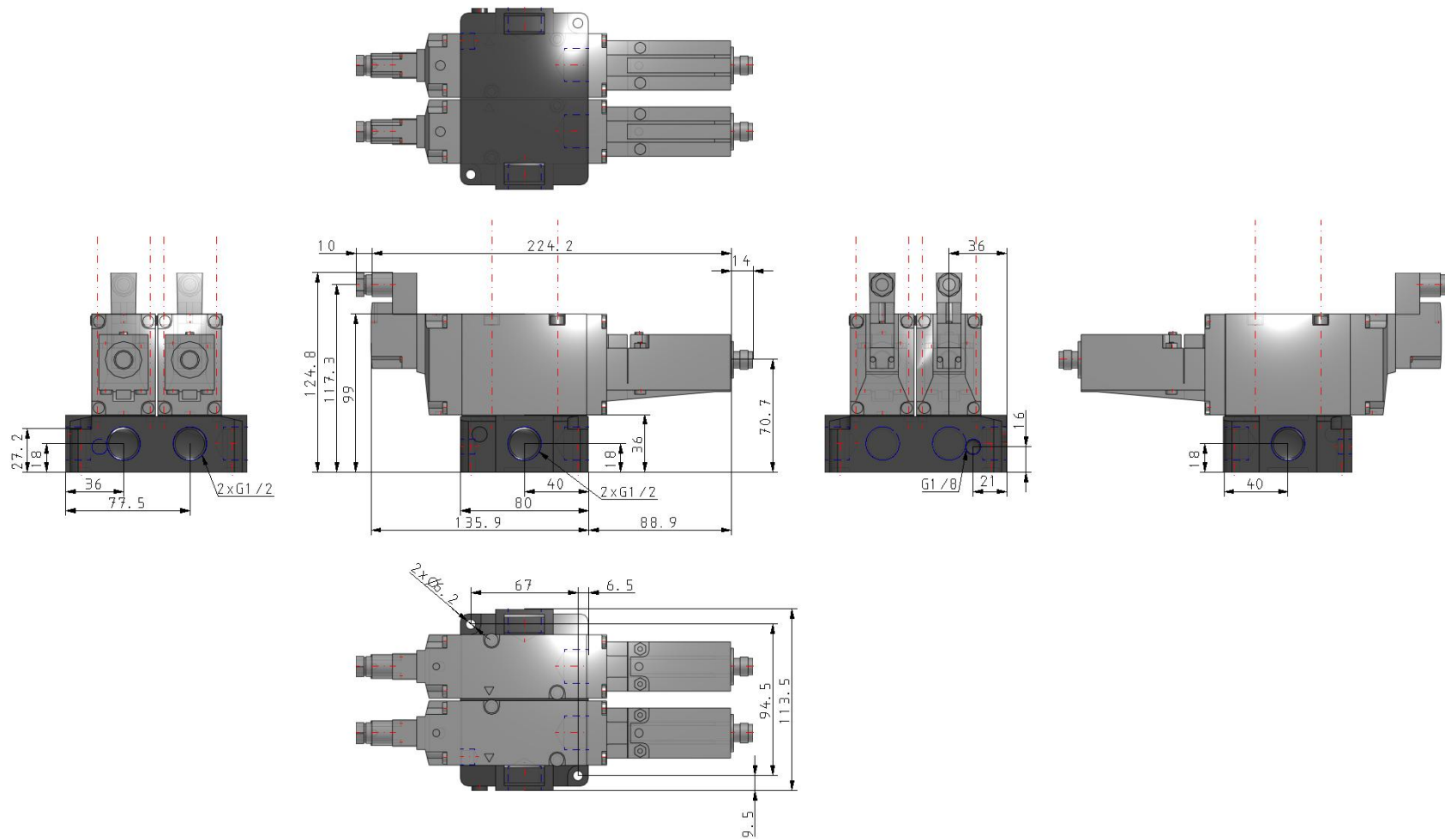


Directional control valve 3/2-way valve, closed normal position with a combined control by solenoid valve and pilot valve and with a safety limit switch, made by OMRON

Standard specifications

Series	VP700
Pilot Specification	Internal Pilot
Electrical Entry	D (DIN Terminal)
Port Size	04 (1/2)
Thread	F (G)
Switch Electrical Entry	M (M12 - OMRON)
Check Valve	None
Pressure medium	Air
Maximum operating pressure	0.7 MPa
Maximum ambient temperature	50 °C
Minimum ambient temperature	-10 °C
Enclosure	IP65
Maximum operating frequency	30 cycles/minute
Minimum operating frequency	1 cycle/week
Weight	1.538 Kg

Dimensions



Specifications are subject to change without prior notice and any obligation on the part of the manufacturer.

Additional information

Catalogue	VP-VG-B_EU.pdf
Declaration of conformity	newDoC_VP500_TF1Z304EN.pdf NewDoC_VP500_TF124-049EN.pdf newDoC_VP500_TF124-091EN.pdf
Installation manuals	IM_VP500_TF2Z495EN.pdf