

## C(D)Q2, Compact Cylinder, Double Acting, Single Rod, Large Bore w/Auto Switch Mounting Groove

### CDQ2B125TF-10DCZ

Datasheet

### General series information

- Compact, double acting, single rod, large bore
- Bore sizes (mm): 125, 140, 160, 180, 200
- Standard stroke range (mm): 10 to 300
- Port threads: Rc, NPT, G
- Can mount small auto switches on 4 surfaces.



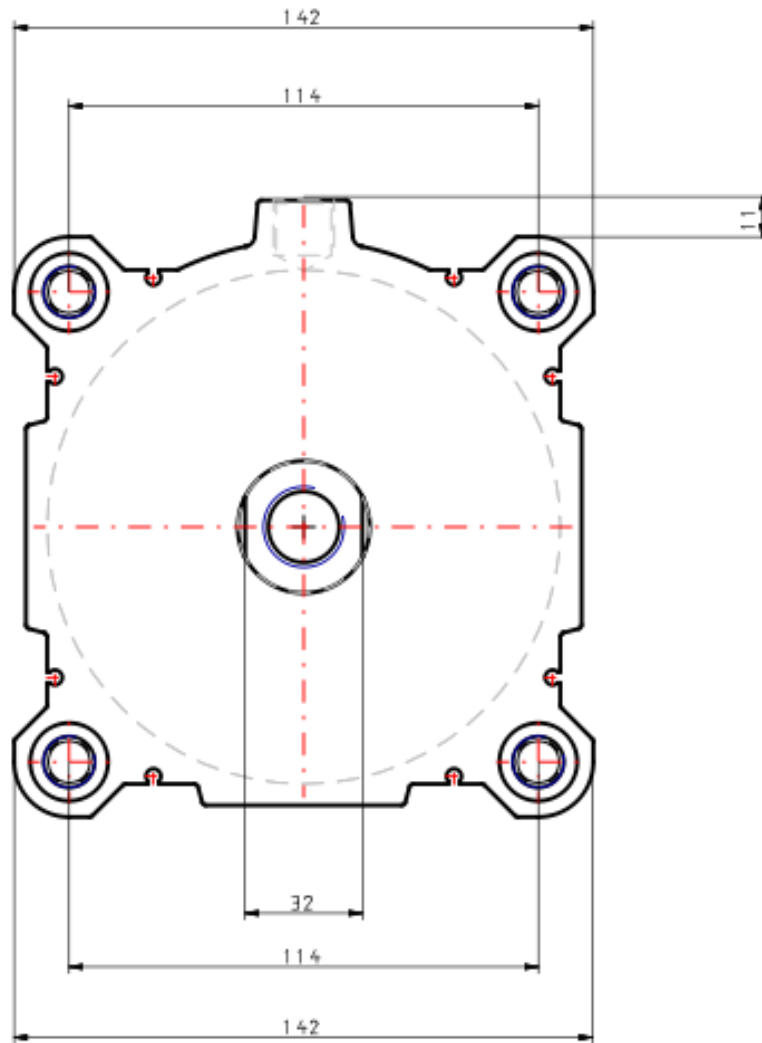
Double-acting, single-rod cylinder

### Standard specifications

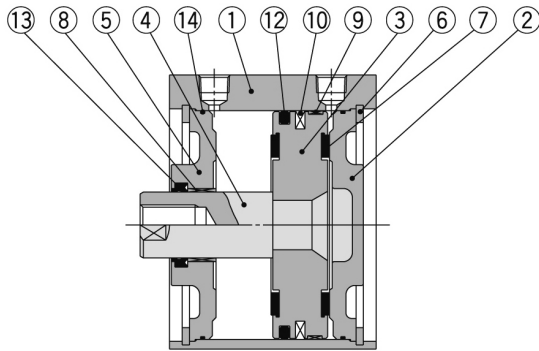
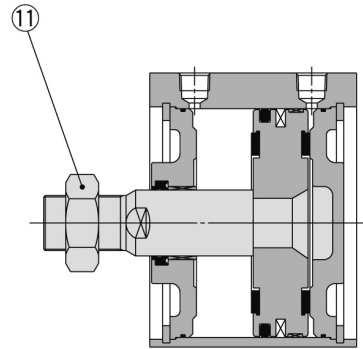
|  |  |
|--|--|
| Magnet   | D (Built-in)                           |
| Bore Size  | Ø125 mm                                |
| Port Thread Type                                   | TF (G)                                 |
| Stroke   | 10                                     |
| Body Option  | Standard (Rod End Female Thread)       |
| Auto Switch  | No Switch                              |
| Lead Wire or Prewired Connector                    | 0.5 m or None in the Case of No Switch |
| Number   | 2 pcs.                                 |
| Rod End Options                                    | None                                   |
| Fluororubber Seal                                  | None                                   |
| Pressure medium                                    | Compressed air                         |
| Maximum temperature of pressure medium with magnet | 60 °C                                  |
| Minimum temperature of pressure medium with magnet | -10 °C                                 |
| Maximum operating pressure                         | 1.0 MPa                                |
| Minimum operating pressure                         | 0.05 MPa                               |
| Proof pressure                                     | 1.5 MPa                                |
| Maximum ambient temperature with magnet            | 60 °C                                  |
| Minimum ambient temperature with magnet            | -10 °C                                 |

|   |               |
|---|---------------|
| Number of pneumatic connections                         | 2 pcs.        |
| Pneumatic input connection                              | G 3/8         |
| Mode of operation of drive                              | Double acting |
| Theoretical cylinder force, advance stroke (at 0.5 MPa) | 6,136 N       |
| Theoretical cylinder force, return stroke (at 0.5 MPa)  | 5,627 N       |
| Maximum piston speed                                    | 500 mm/s      |
| Piston rod end  | Male thread   |
| Geometric form of the piston rod                        | Single rod    |
| Male thread of rod end                                  | M30 x 1.5     |
| Female thread of rod end                                | M22 x 2.5     |
| Minimum piston speed                                    | 50 mm/s       |
| Weight  | 5.540 Kg      |

## Dimensions



## Constructions

**Standard**

**Rod end male thread**


### Component Parts

| No. | Description    | Material          | Note               |
|-----|----------------|-------------------|--------------------|
| 1   | Cylinder tube  | Aluminum alloy    | Hard anodised      |
| 2   | Head cover     | Carbon steel      | Nickel plated      |
| 3   | Piston         | Aluminum alloy    | Chromated          |
| 4   | Piston rod     | Carbon steel      | Hard chrome plated |
| 5   | Rod cover      | Carbon steel      | Nickel plated      |
| 6   | Retaining ring | Carbon tool steel | Phosphate coated   |
| 7   | Bumper         | Urethane          |                    |
| 8   | Bushing        | Bearing alloy     |                    |
| 9   | Wear ring      | Resin             |                    |
| 10  | Magnet         | —                 | For CDQ2B□ only    |
| 11  | Rod end nut    | Carbon steel      | Nickel plated      |
| 12  | Piston seal    | NBR               |                    |
| 13  | Rod seal       | NBR               |                    |
| 14  | Tube gasket    | NBR               |                    |

### Replacement Parts/Seal Kit

| Bore size (mm) | Kit no.    | Contents                                   |
|----------------|------------|--|
| 125            | CQ2B125-PS | Kits include items ⑫, ⑬, ⑭ from the table. |
| 140            | CQ2B140-PS |  |
| 160            | CQ2B160-PS |  |
| 180            | CQ2B180-PS |  |
| 200            | CQ2B200-PS |  |

\* Seal kit includes ⑫, ⑬, ⑭. Order the seal kit, based on each bore size.

\* Since the seal kit does not include a grease pack, order it separately.

**Grease pack part no.:** GR-S-010 (10 g)

## Additional information

Catalogue

[CQ2-Z-D\\_EU.pdf](#)