

Elbow - AS*2*1F AS2201F-02-10

Datasheet

General series information

- Port Size: M3, M5, 10-32 UNF, 1/8, 1/4, 3/8, 1/2
- Applicable Tubing O.D.: Ø 2 to Ø 12 mm and Ø 1/8" to Ø 1/2"
- Operating Pressure Range: 0.1 to 1 MPa.

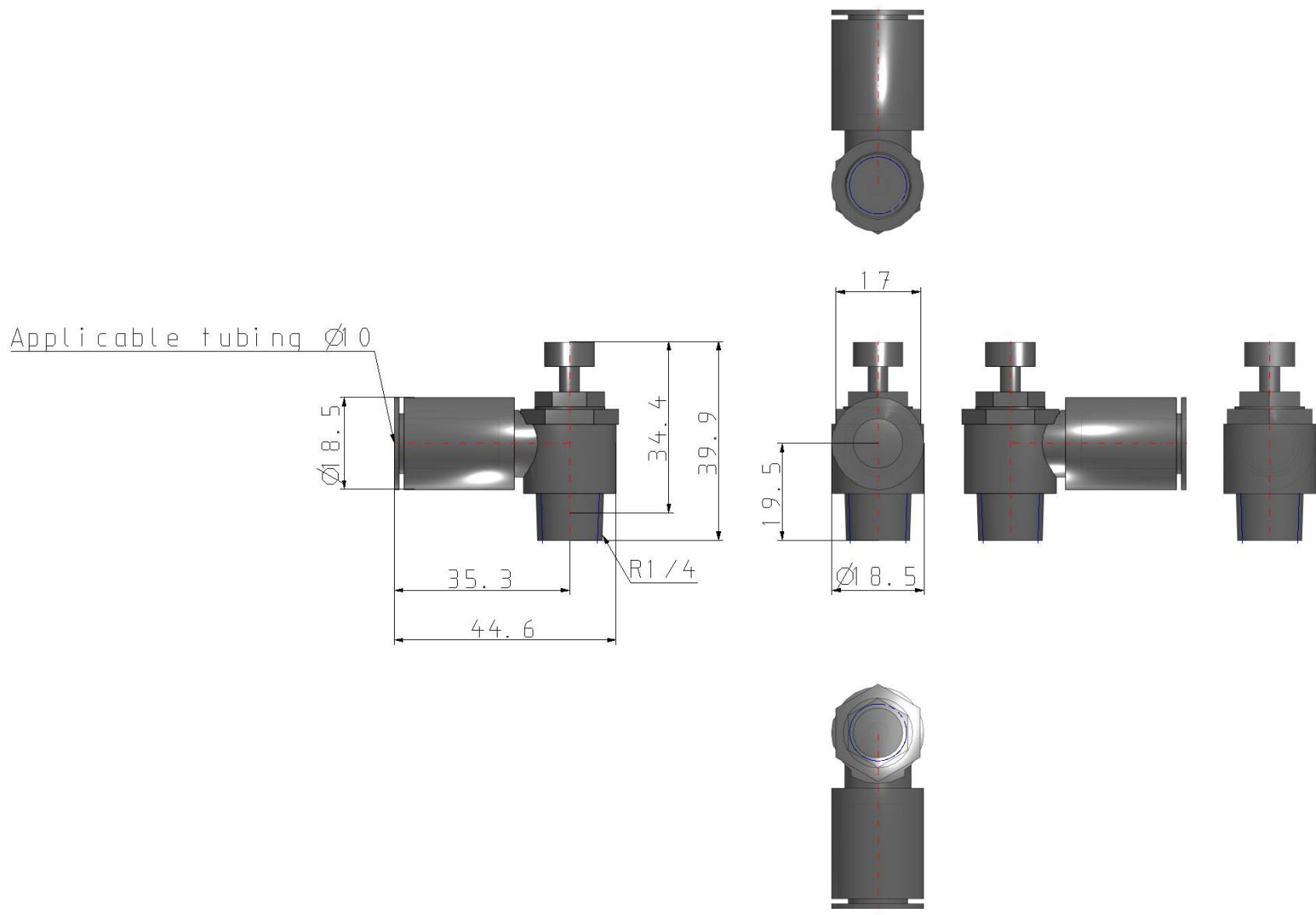


Flow control valve, adjustable, with reverse free flow

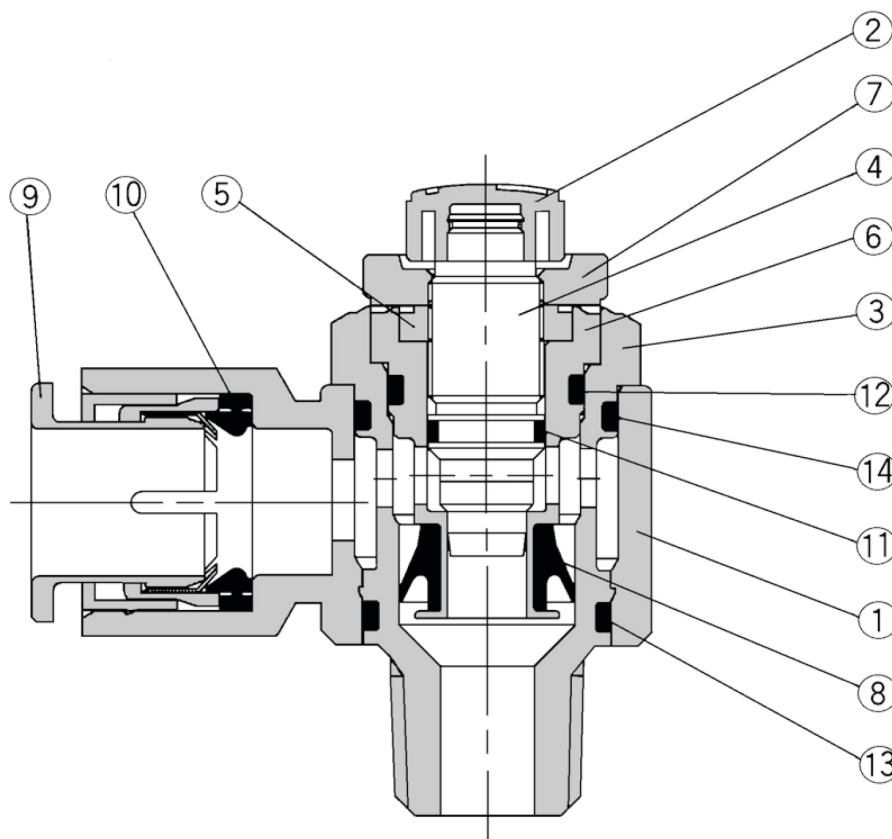
Standard specifications

| | |
|-----------------------------|---------------------------------|
| Pressure medium | Air |
| Maximum operating pressure | 1 MPa |
| Minimum operating pressure | 0.1 MPa |
| Proof pressure | 1.5 MPa |
| Maximum ambient temperature | 60 °C |
| Minimum ambient temperature | -5 °C |
| Applicable tubing material | Nylon, Soft nylon, Polyurethane |
| Weight | 0.057 Kg |

Dimensions



Constructions



Component Parts

| No. | Description | |
|-----|--------------|----------------------|
| ① | Body A | PBT |
| ② | Handle | PBT ⁽¹⁾ |
| ③ | Body B | Brass ⁽²⁾ |
| ④ | Needle | Brass |
| ⑤ | Needle guide | Brass |
| ⑥ | Seat ring | Brass |
| ⑦ | Lock nut | Steel |
| ⑧ | U-packing | HNBR |
| ⑨ | Cassette | POM, Stainless steel |
| ⑩ | Packing | NBR |
| ⑪ | O ring | NBR |
| ⑫ | O ring | NBR |
| ⑬ | O ring | NBR |
| ⑭ | O ring | NBR |

Note 1) AS12□1F-M3-02 and AS12□1F-M5-02 are made of electroless nickel plated brass.

Note 2) AS12□1F-M3: Stainless

Note 3) AS22□1F, AS32□1F-02: Electroless nickel plated

Note 4) Meter-in type: Black zinc chromated

Additional information

| | |
|-------------------|---|
| Catalogue | AS_2-3_1F-A_EU.pdf |
| Operation manuals | OM_AS-F_OMG0107EN-A.pdf |