

AV2000/3000/4000/5000-A, Soft Start-up Valve

AV3000-F03-5YOB-A

Datasheet

General series information

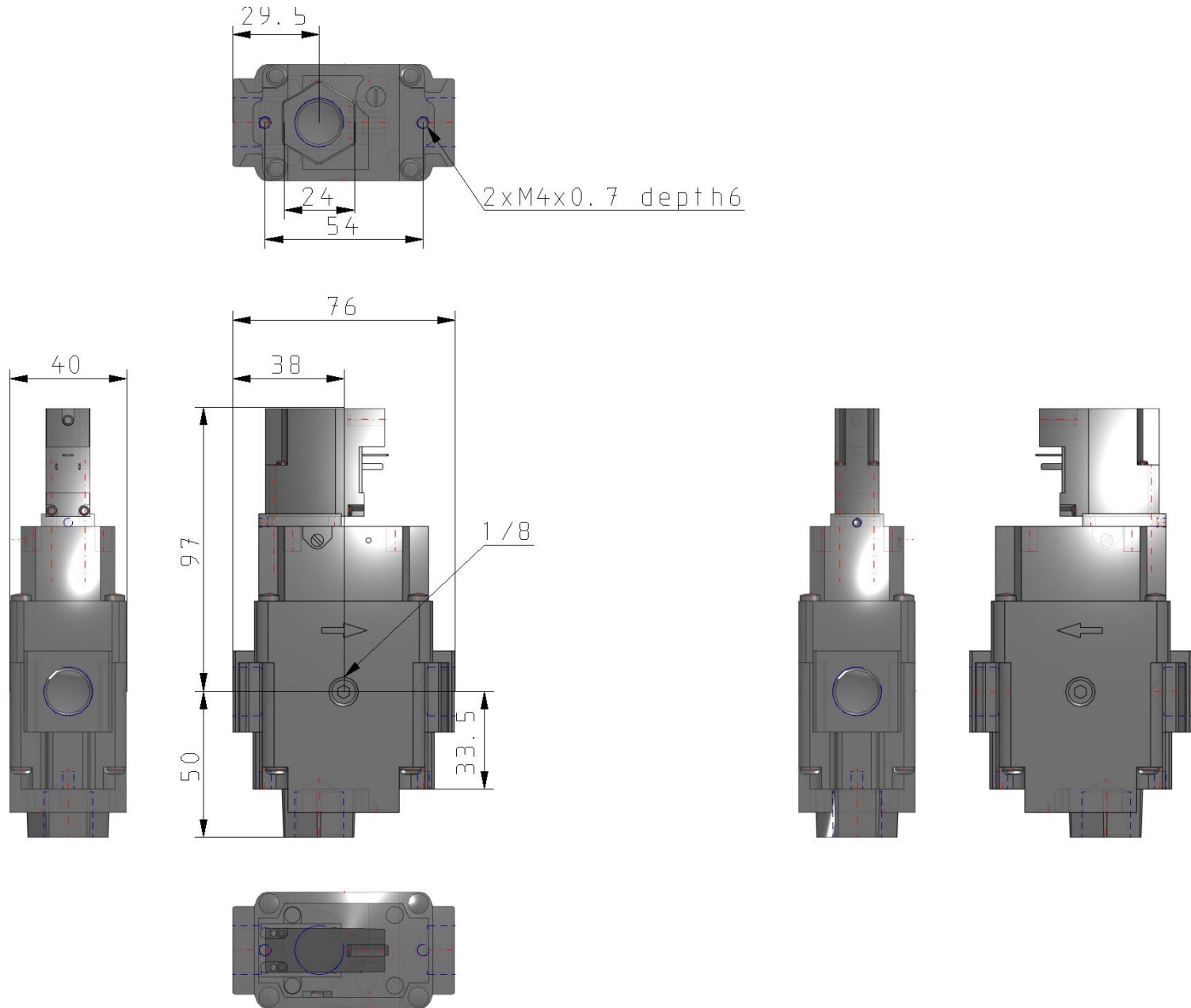
- Power consumption: 0,35 W
- Improved flow rate characteristics: Up to 2,3 times C[dm³/ (s·bar)]: 9,2
- Energy saving: No air flow when the main valve is switched
- Improved adjustability at low speed air supply
- Smaller profile and less work hours due to integrated silencer.

Standard specifications

| | |
|--|--|
| Body Size | 3000 |
| Thread | F (G) |
| Port Size | 03 (3/8) |
| Option | None |
| Rated Voltage | 5 (24 VDC) |
| Electrical Entry | YO (Type Y DIN Terminal w/o Connector) |
| Surge Suppressor | None |
| Manual Override | B (Push-locking slotted style) |
| Flow Direction/Pressure Unit | Flow direction: left to right |
| Pressure medium | Air |
| Maximum temperature of pressure medium | 50 °C |
| Minimum temperature of pressure medium | 0 °C |
| Maximum operating pressure | 1 MPa |
| Minimum operating pressure | 0.2 MPa |
| Proof pressure | 1.5 MPa |
| Maximum ambient temperature | 50 °C |
| Minimum ambient temperature | 0 °C |
| Approvals | CE |

| | |
|--|---|
| Protection class with connector | Dust-protected (DIN terminal: IP65) |
| Pneumatic input connection | G 3/8 |
| Pneumatic output connection | G 3/8 |
| Pneumatic exhaust connection | G 3/8 |
| Flow rate | 3269 l/min (ANR) |
| Critical pressure ratio | 0.27 |
| Sonic conductance dm ³ /(s·bar) | 13.1 |
| Type of electrical connector | Type Y (DIN terminal/Without connector) |
| Manual override | R 1/4 |
| Weight | 0.436 Kg |

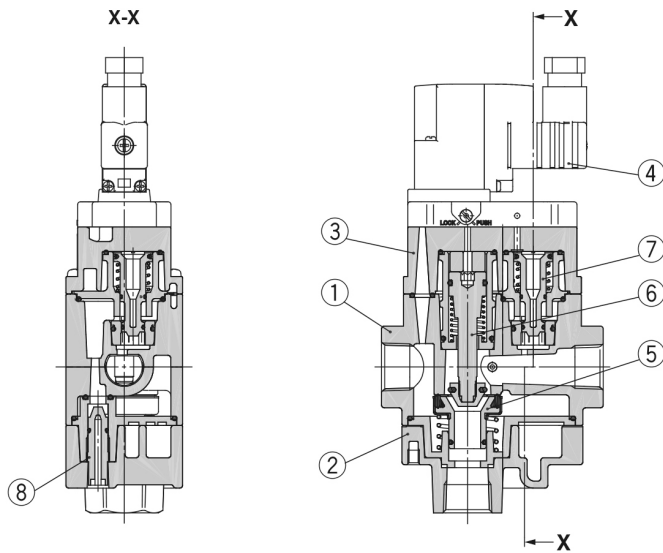
Dimensions



Specifications are subject to change without prior notice and any obligation on the part of the manufacturer.

Constructions

Construction



Component Parts

| No. | Description | Material |
|-----|--------------|--------------------|
| 1 | Body | Aluminium die-cast |
| 2 | Bottom cover | Aluminium die-cast |
| 3 | Top cover | Aluminium die-cast |

Replacement Parts

| No. | Description | Material | AV2000-A | AV3000-A | AV4000-A | AV5000-A |
|-----|------------------------|-----------------------|-----------------|-------------|-------------|-------------|
| 4 | Pilot valve assembly*1 | — | See below. | | See below. | |
| 5 | Valve assembly | Rubber material: HNBR | AV22P-060AS | | AV42P-060AS | AV52P-060AS |
| 6 | Control valve assembly | — | AV22P-110AS | | AV42P-110AS | AV52P-110AS |
| 7 | Piston assembly | POM, NBR | AV22P-120AS | | AV42P-120AS | AV52P-120AS |
| 8 | Needle assembly | POM, NBR | AV22P-150AS | AV32P-150AS | AV42P-150AS | AV52P-150AS |
| 9 | Plug assembly | POM, NBR | AR22P-320AS-□01 | | | |

Additional information

| | |
|---------------------------|--|
| Catalogue | AV2-3-4-5000-A-B_EU.pdf |
| Declaration of conformity | newDoC_AV-A_TF1V02EN.pdf newDoC_AV-A_TF122111EN.pdf |
| Operation manuals | OM_AVx_OMZ0091EN-E.pdf |