

AV2000/3000/4000/5000-A, Soft Start-up Valve

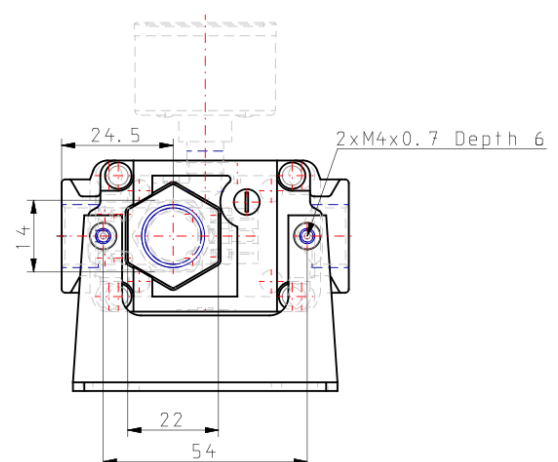
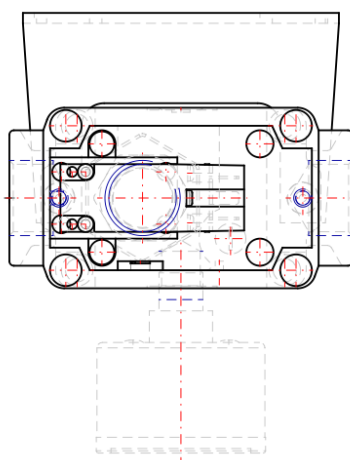
AV2000-F02-4YOB-A

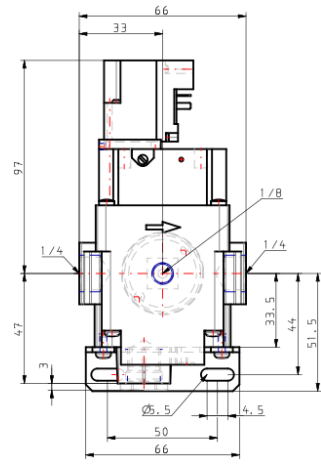
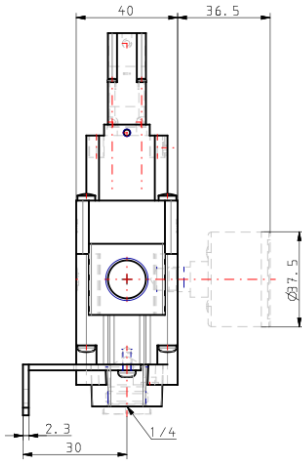
Datasheet

- Pilot operated soft start-up valve
- Low power consumption: 0.35 W (DC type)
- Improved flow rate by up to 2.2 times
- Better adjustability at low speed air supply
- Modular connection for connecting to F.R.L. units
- Optional built-in silencer
- IP65 enclosure.

Body Size	2000
Thread	F (G)
Port Size	02 (1/4)
Option	None
Rated Voltage	4 [220 VAC (230 VAC)]
Electrical Entry	YO (Type Y DIN Terminal w/o Connector)
Surge Suppressor	None
Manual Override	B (Push-locking slotted style)
Flow Direction/Pressure Unit	Flow direction: left to right
Pressure medium	Air
Maximum temperature of pressure medium	50 °C
Minimum temperature of pressure medium	0 °C
Maximum operating pressure	1 MPa
Minimum operating pressure	0.2 MPa
Proof pressure	1.5 MPa
Maximum ambient temperature	50 °C
Minimum ambient temperature	0 °C
Conform to the European RoHS Directive	Conform
Approvals	CE
Protection class with connector	Dust-protected (DIN terminal: IP65)
Pneumatic input connection	G 1/4
Pneumatic output connection	G 1/4
Pneumatic exhaust connection	G 1/4
Flow rate	2433 l/min (ANR)
Critical pressure ratio	0.36
Sonic conductance dm ³ /(s·bar)	9.2
Type of electrical connector	Type Y (DIN terminal/Without connector)
Manual override	R 1/4
Weight	0.436 Kg

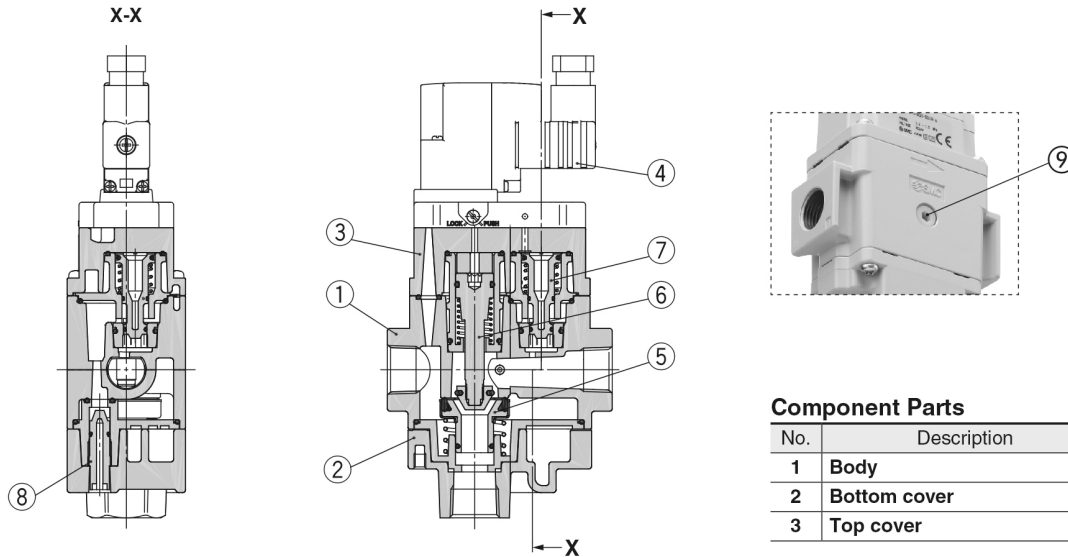
Dimensions





Constructions

Construction



Component Parts

No.	Description	Material
1	Body	Aluminium die-cast
2	Bottom cover	Aluminium die-cast
3	Top cover	Aluminium die-cast

Replacement Parts

No.	Description	Material	AV2000-A	AV3000-A	AV4000-A	AV5000-A
4	Pilot valve assembly *1	—	See below.		See below.	
5	Valve assembly	Rubber material: HNBR	AV22P-060AS		AV42P-060AS	AV52P-060AS
6	Control valve assembly	—	AV22P-110AS		AV42P-110AS	AV52P-110AS
7	Piston assembly	POM, NBR	AV22P-120AS		AV42P-120AS	AV52P-120AS
8	Needle assembly	POM, NBR	AV22P-150AS	AV32P-150AS	AV42P-150AS	AV52P-150AS
9	Plug assembly	POM, NBR	AR22P-320AS-□01			

Additional information

Catalogue	AV2-3-4-5000-A-A_EU.pdf
Declaration of conformity	newdoc_av-a_tf1v02en.pdf
Installation manuals	im_av-a_smu70en-a.pdf