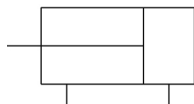


C(D)JP2, Pin Cylinder, Double Acting, Single Rod CJP2D6-10D

Datasheet

- The body material has been changed from brass to aluminium, achieving impressive weight reduction.
- The overall length of the cylinder has been reduced resulting in an extremely compact cylinder.
- Solid state auto-switches can also be mounted now.
- Longer stroke options are now available.
- Internal rubber bumpers provide quieter operation and longer life (up to 5 million cycles).



Double-acting, single-rod cylinder

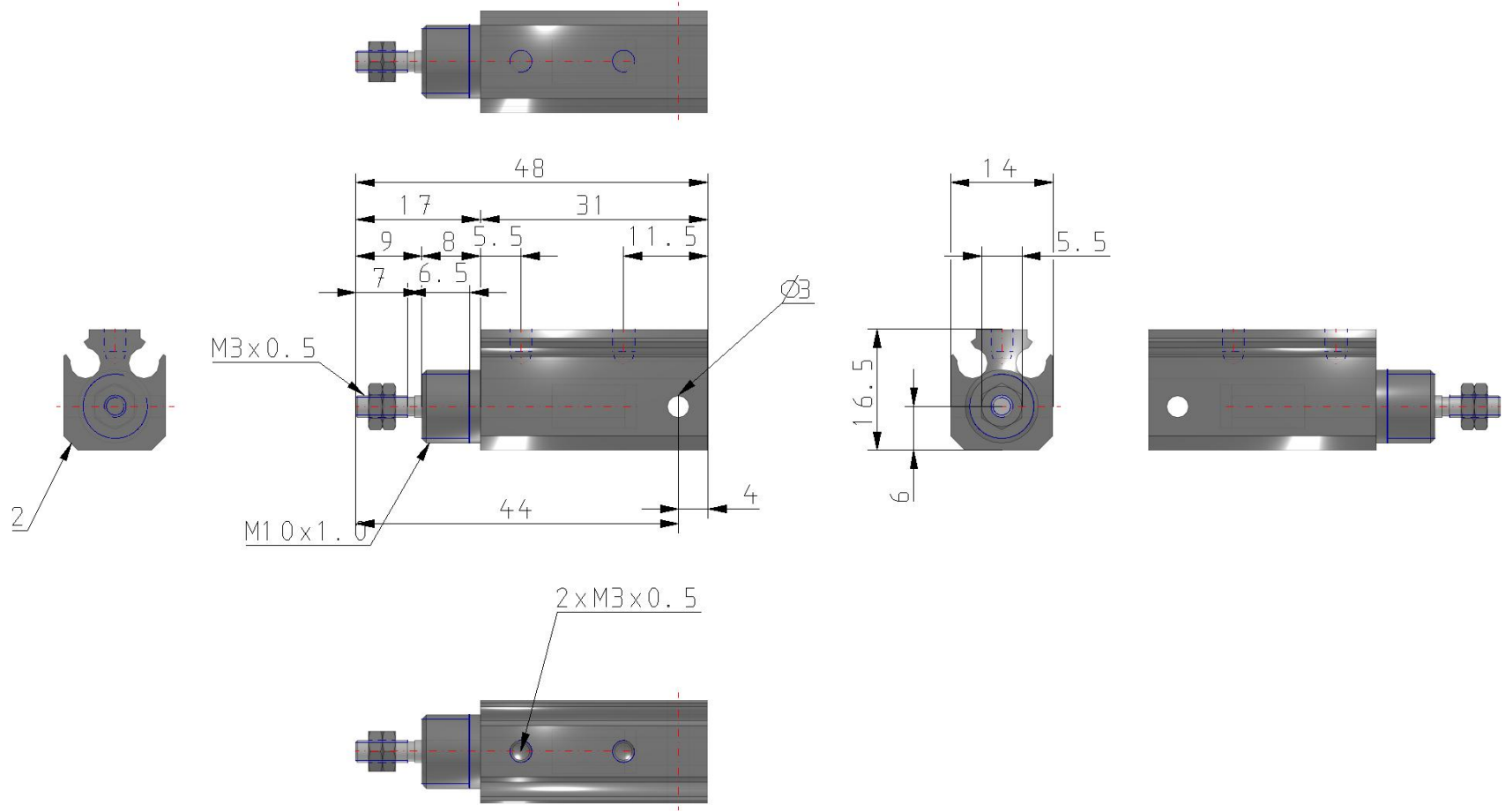
Standard specifications

Magnet	None
Mounting	D (Clevis)
Bore Size	Ø6 mm
Stroke	10 mm
Rod End Thread	With Thread
Auto Switch	No Switch
Lead Wire or Prewired Connector	0.5m [Or None in the Case of No Switch]
Number	2 pcs. [Or None in the Case of No Switch]
-	Compressed Air
Maximum temperature of pressure medium	70 °C
Minimum temperature of pressure medium	-10 °C
Maximum operating pressure	0.7 MPa
Minimum operating pressure	0.12 MPa
Proof pressure	1.05 MPa
Maximum ambient temperature	70 °C
Minimum ambient temperature	-10 °C
Pneumatic input connection	M3 x 0.5
Theoretical cylinder force, advance stroke (at 0.5 MPa)	14.1 N
Theoretical cylinder force, return stroke (at 0.5 MPa)	10.6 N

Type of cushioning	Rubber bumper
Male thread of rod end	M3
Weight	0.018 Kg

Specifications are subject to change without prior notice and any obligation on the part of the manufacturer.

Dimensions



Additional information

Catalogue	CJP2-CJP_EU.pdf
Operation manuals	cjp2_op_manual_cjp2-om0002k.pdf