

## High Accuracy, Wedge Cam - MHK MHKL2-12S

Datasheet

### General series information

- Maximum gripping force per finger 86 N at 0.5 MPa
- Double acting
- Repeatability:  $\pm 0.01$  mm
- Max. operating frequency: 120 c.p.m.

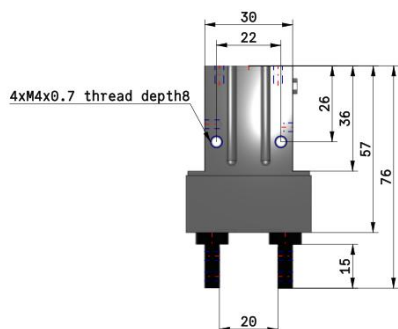
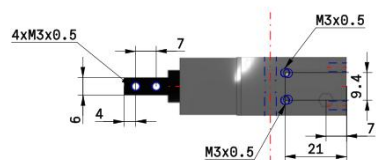
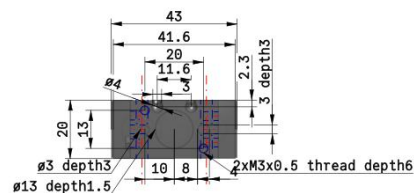
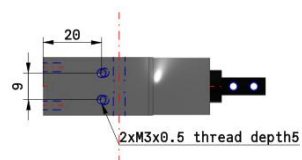
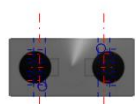
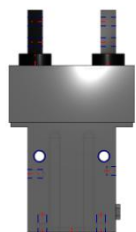


*Gripper, normally open, single-acting with permanent magnet on piston*

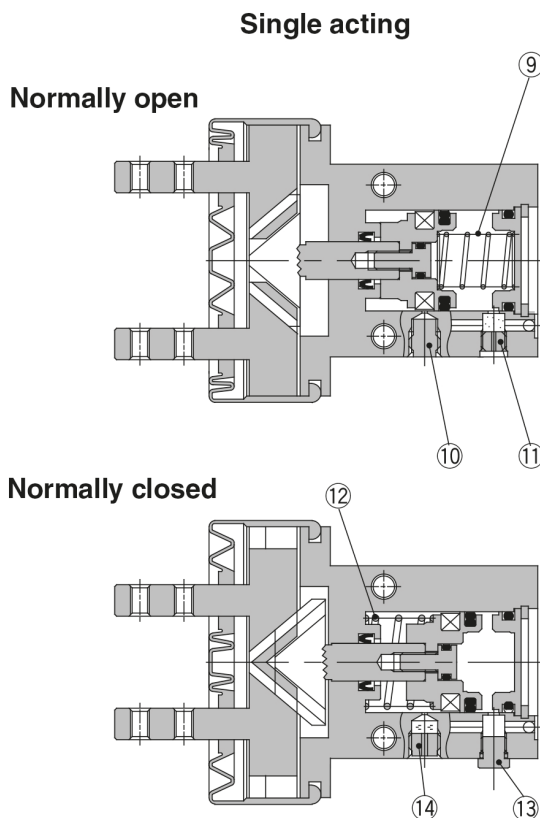
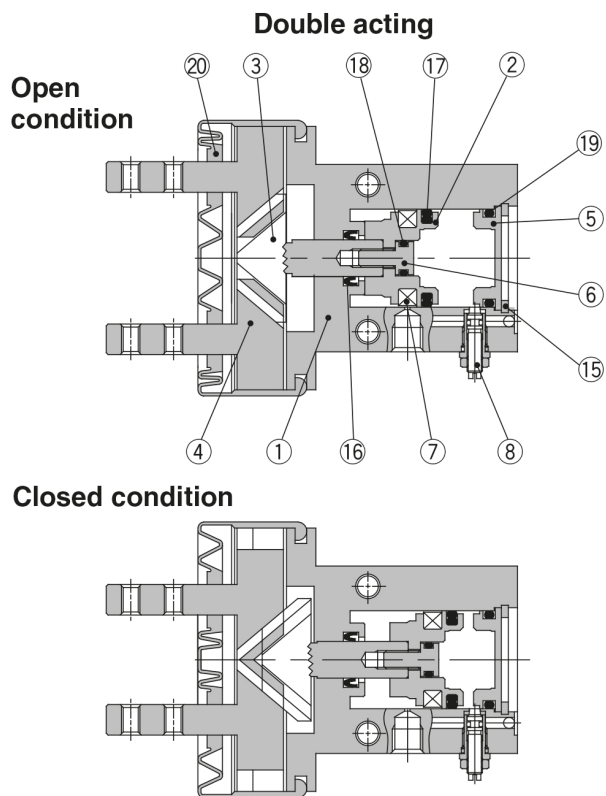
### Standard specifications

Finger Stroke	L (Long Stroke)
Bore Size	12 mm
Action	S [Single Acting (Normally Open)]
Finger Material	Carbon Steel
Dust Cover	Chloroprene Rubber (CR)
Auto Switch	No Switch
Lead Wire or Prewired Connector	0.5m (Or None in the Case of No Switch)
Number	2 pcs. (Or None in the Case of No Switch)
Maximum operating pressure	0.6 MPa
Minimum operating pressure	0.25 MPa
Maximum ambient temperature	60 °C
Minimum ambient temperature	-10 °C
Repeatability	$\pm 0.01$ mm
Lubrication	Not required
Effective holding force per finger, external (0.5 MPa)	9 N
Opening / closing stroke (both sides)	11 mm
Fluid	Air
Max. operating frequency	90 c.p.m
Weight	0.110 Kg

# Dimensions



## Constructions



### Component Parts

No.	Description	Material	Note
1	<b>Body</b>	Aluminium alloy	Hard anodised
2	<b>Piston</b>	Aluminium alloy	Hard anodised
3	<b>Cam</b>	Carbon steel	Heat treated, Specially treated
4	<b>Finger</b>	Carbon steel	Heat treated, Specially treated
		Stainless steel 304	Option
5	<b>Cap</b>	Aluminium alloy	Hard anodised
6	<b>Piston bolt</b>	Stainless steel	
7	<b>Rubber magnet</b>	Synthetic rubber	

No.	Description	Material	Note
8	<b>Needle assembly</b>		
9	<b>N.O. spring</b>	Piano wire	
10	<b>Plug</b>	Brass	Electroless nickel plated
11	<b>Exhaust plug</b>	Brass	Electroless nickel plated
12	<b>N.C. spring</b>	Piano wire	
13	<b>Plug assembly</b>	Brass	Electroless nickel plated
14	<b>Exhaust plug A</b>	Brass	Electroless nickel plated
15	<b>Type C retaining ring</b>	Carbon steel	Nickel plated

## Additional information

Catalogue

[MHK2\\_EU.pdf](#)

Operation manuals

[OM\\_MHK2\\_OMF0058EN.pdf](#)