

R(D)Q, Compact Cylinder, Air Cushion

RDQB32TF-25

Datasheet

General series information

- Unique air cushion construction with no cushion ring.
- Wide size variations from $\varnothing 20$ to $\varnothing 100$.
- Nearly three times the allowable kinetic energy.
- Improved noise reduction (Stroke end impact noise reduced) and repeatability.
- Interchangeable mounting.

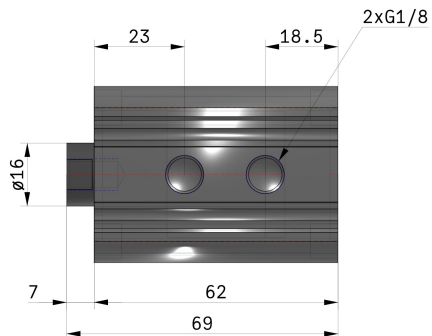
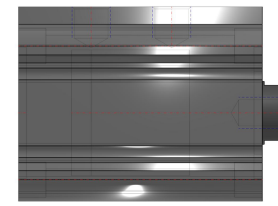
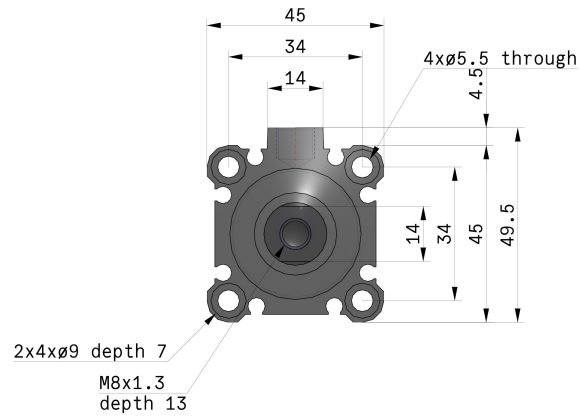
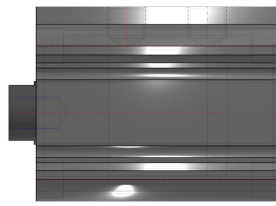
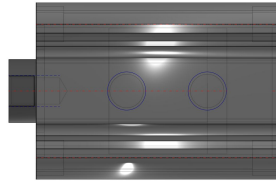
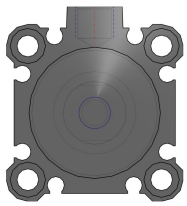
Standard specifications

Magnet	D (Built-in Magnet)
Mounting	B [Through Hole (Standard)]
Bore Size	32mm
Port Thread	TF (G)
Stroke	25
Body Option	Rod End Female Threads (Standard)
Auto Switch	No Switch
Lead Wire or Prewired Connector	0.5m (Or None in the Case of No Switch)
Number	2 pcs. (Or None in the Case of No Switch)
Maximum operating pressure	1.0 MPa
Minimum operating pressure	0.05 MPa
Proof pressure	1.5 MPa
Maximum piston speed	500 mm/s
Type of cushioning	Pneumatic (non-lube) type
Female thread of rod end	Female threads
Minimum piston speed	50 mm/s
Fluid	Air
Ambient and fluid temperature	-10°C to 70°C (with no freezing)

Stroke length tolerance	+1.0 0
F449 - Rod_end_thread_tolerance	JIS class 2
F450 - Mounting	Through hole
Weight	0.302 Kg

Specifications are subject to change without prior notice and any obligation on the part of the manufacturer.

Dimensions



Additional information

Catalogue

[RQ_EU.pdf](#)

Operation manuals

[RQ_OP_Manual_RQxx-OM0002G.pdf](#)