

C(D)QS, Compact Cylinder, Double Acting, Single Rod CDQSB25-125DC

Datasheet

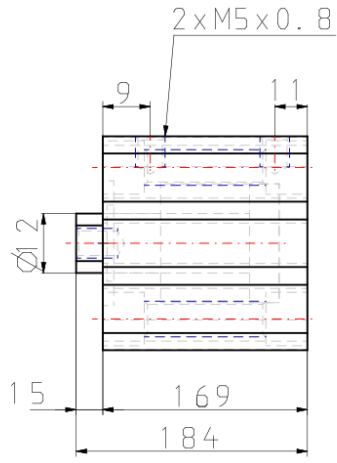
The CQS compact cylinder is available for those small bore cylinder applications where saving space is a concern. While sharing many of the outstanding features of the CQ2 series, the CQS offers standard long strokes (up to 300mm) in four bore sizes from 12 to 25mm. Long stroke versions incorporate a wear band and thicker piston to handle the increased bearing needs of the longer strokes. Both switch capable and non-switch capable body styles are the same, and switches can be mounted on three (12-16 bore) and four (20-25 bore) sides. An increased side load version (CQS*S) is available for more demanding applications.



Double-acting, single-rod cylinder

Standard specifications

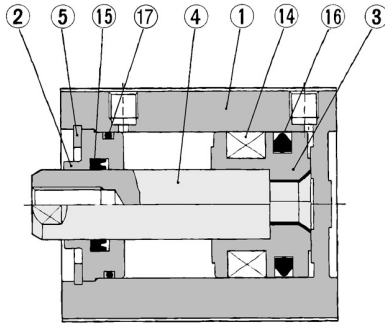
Magnet	D (Built-in)
Mounting	B (Through Hole, Both Ends Tapped)
Bore Size	Ø25 mm
Lube-retainer	Without Stable Lubrication Function
Stroke	125
Option	C (Rubber Bumper)
Auto Switch	No Switch
Lead Wire or Prewired Connector	0.5 m (Or None in the Case of No Switch)
Number	2 pcs.
Dust Resistant	None
Rod End Options	None
Pressure medium	Air
Maximum temperature of pressure medium	60 °C
Minimum temperature of pressure medium	-10 °C
Maximum operating pressure	1.0 MPa
Minimum operating pressure	0.05 MPa
Proof pressure	1.5 MPa
Maximum ambient temperature	60 °C



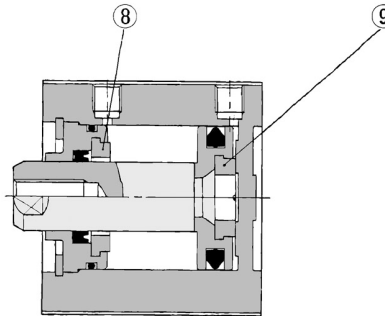
Constructions

Construction

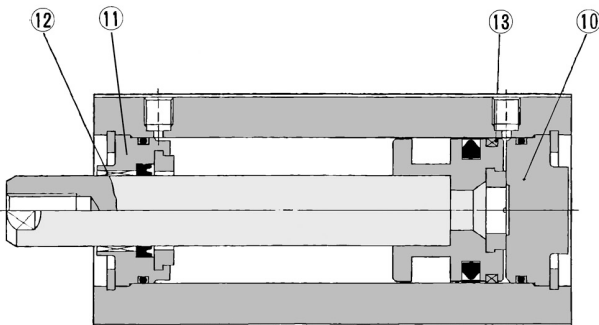
**With auto switch
(Built-in magnet)
ø20, ø25**



With rubber bumper



Long stroke



Component Parts

No.	Description	Material	Note
①	Cylinder tube	Aluminum alloy	Hard anodized
②	Collar	Aluminum bearing alloy	Anodized
③	Piston	Aluminum alloy	Chromated
④	Piston rod	Stainless steel	
⑤	Snap ring	Carbon tool steel	Phosphate coating
⑧	Bumper A	Urethane	
⑨	Bumper B	Urethane	
⑩	Head cover	Aluminum alloy	Anodized

Component Parts

No.	Description	Material	Note
⑪	Collar	Aluminum alloy	Anodized
⑫	Bushing	Oil impregnated sintered alloy	
⑬	Wearing	Resin	
⑭	Magnet	—	
⑮	Rod seal	NBR	
⑯	Piston seal	NBR	
⑰	Tube gasket	NBR	

Additional information

Catalogue

[CQS_EU.pdf](#)