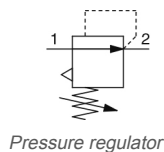


## ARX20, Regulator for 2MPa ARX21-N01

Datasheet

### General series information

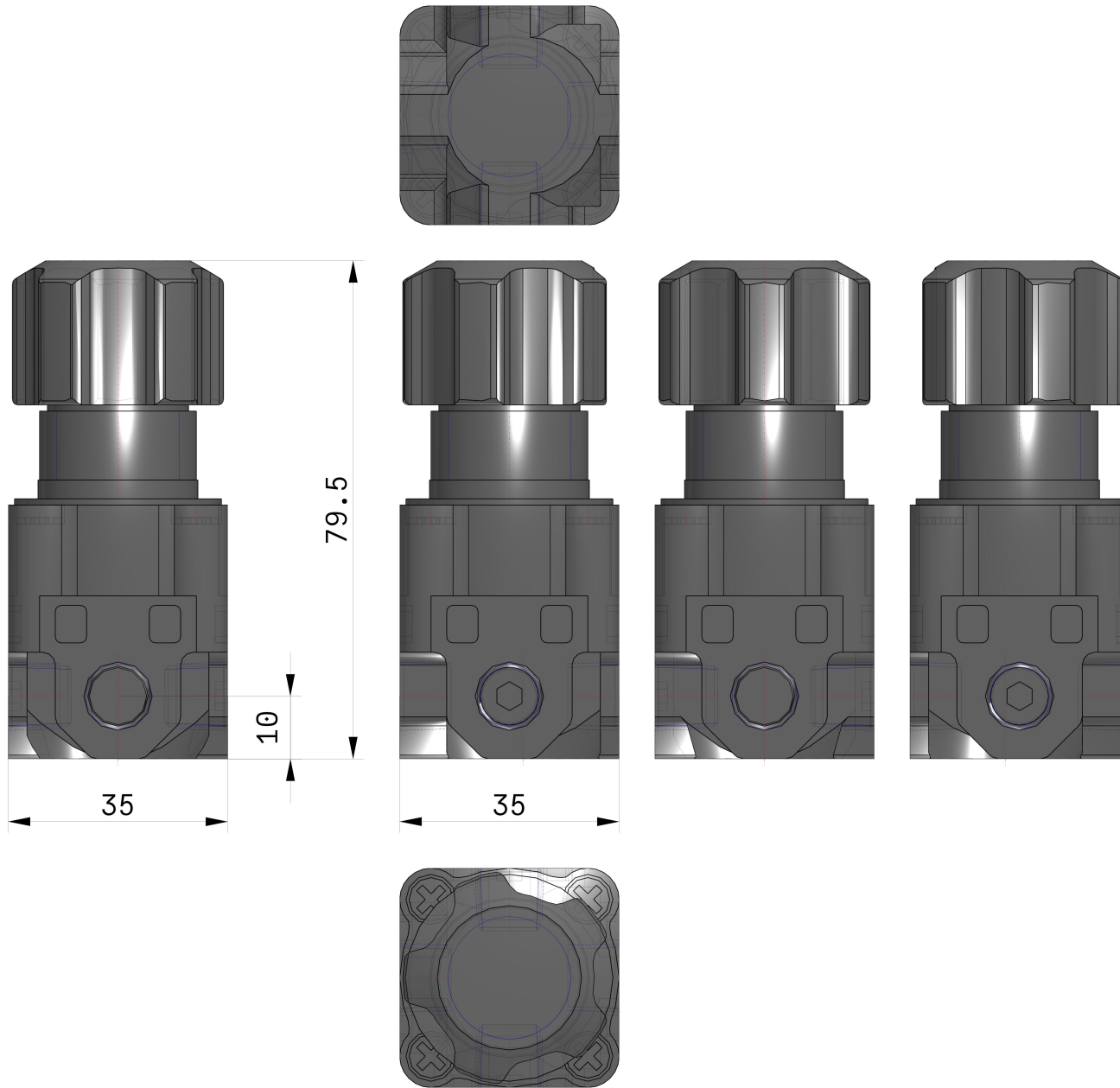
Series ARX20, piston type regulator, is compatible with a primary supply pressure of 2.0MPa and is ideal for pressure adjustment of air blowing applications. The ARX has a compact design with a width of 35mm and an overall length of 80mm. The piston operated design ensures long operating life. The ARX has an easy-to-operate adjustment handle.



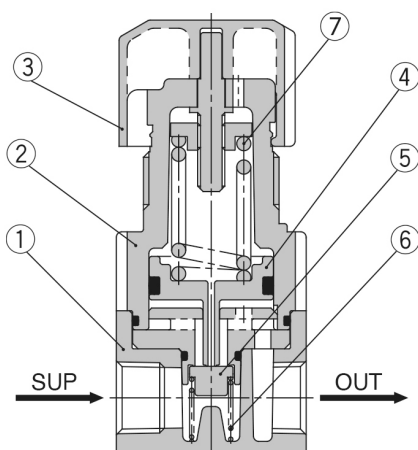
### Standard specifications

Pressure Range	1 (0.05~0.30MPa)
Thread	N (NPT)
Port Size	01 (1/8)
Option	None
Pressure medium	Air
Maximum temperature of pressure medium	60 °C
Minimum temperature of pressure medium	-5 °C (with no freezing)
Maximum operating pressure	2.0 MPa
Proof pressure	3.0 MPa
Maximum ambient temperature	60 °C
Minimum ambient temperature	-5 °C (with no freezing)
Conform to the European RoHS Directive	Conform
Approvals	No need
Weight	0.110 Kg

# Dimensions



## Constructions



### Parts list

No.	Description	Material	Note
1	<b>Body</b>	ADC	Chromate treated
2	<b>Bonnet</b>	POM	
3	<b>Handle</b>	POM	1348102#1

### Replacement parts list

No.	Description	Material	Part No.
4	<b>Piston assembly</b>	POM/NBR	1348104A
5	<b>Valve</b>	Brass/NBR	1348114#1
6	<b>Valve spring</b>	Stainless steel	1348109
7	<b>Adjusting spring</b>	Steel wire	1348108 (For 0.85 MPa) 1348108-1 (For 0.3 MPa)

## Additional information

Catalogue

[ARX20-A\\_EU.pdf](#)

Operation manuals

[OM\\_ARX20\\_OMC0007EN.pdf](#)