



# AN (BC Sintered), Silencer, General Purpose, Metric AN101-01

Datasheet

## General series information

- Fluid: compressed air
- Maximum operating pressure: 1.0MPa
- Noise reduction: 13-21 dB(A)
- Effective area mm<sup>2</sup> : 1-20
- Ambient & fluid temperature: 5 - 50° C

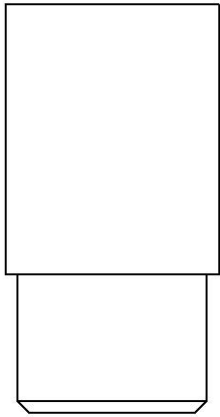
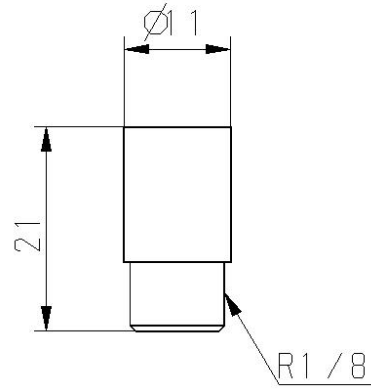
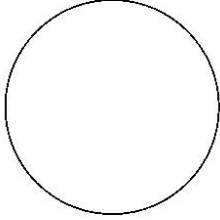


Silencer

## Standard specifications

Size	01 (Exhaust: Circumference/Axis, Noise Reduction: 16 dB,Effective Area: 6/20 mm <sup>2</sup> )
Port Size	01 (R1/8)
Pressure medium	Compressed Air
Maximum operating pressure	1.0 MPa
Maximum ambient temperature	50 °C
Minimum ambient temperature	5 °C
Noise reduction	16 dB
Effective Area	20 mm
Weight	0.008 Kg

# Dimensions



## Additional information

Catalogue

[AN\\_EU.pdf](#)