

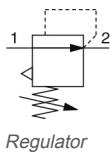
ARM11B, Regulator Block, Individual Supply Type

ARM11BA1-R08-A

Datasheet

General series information

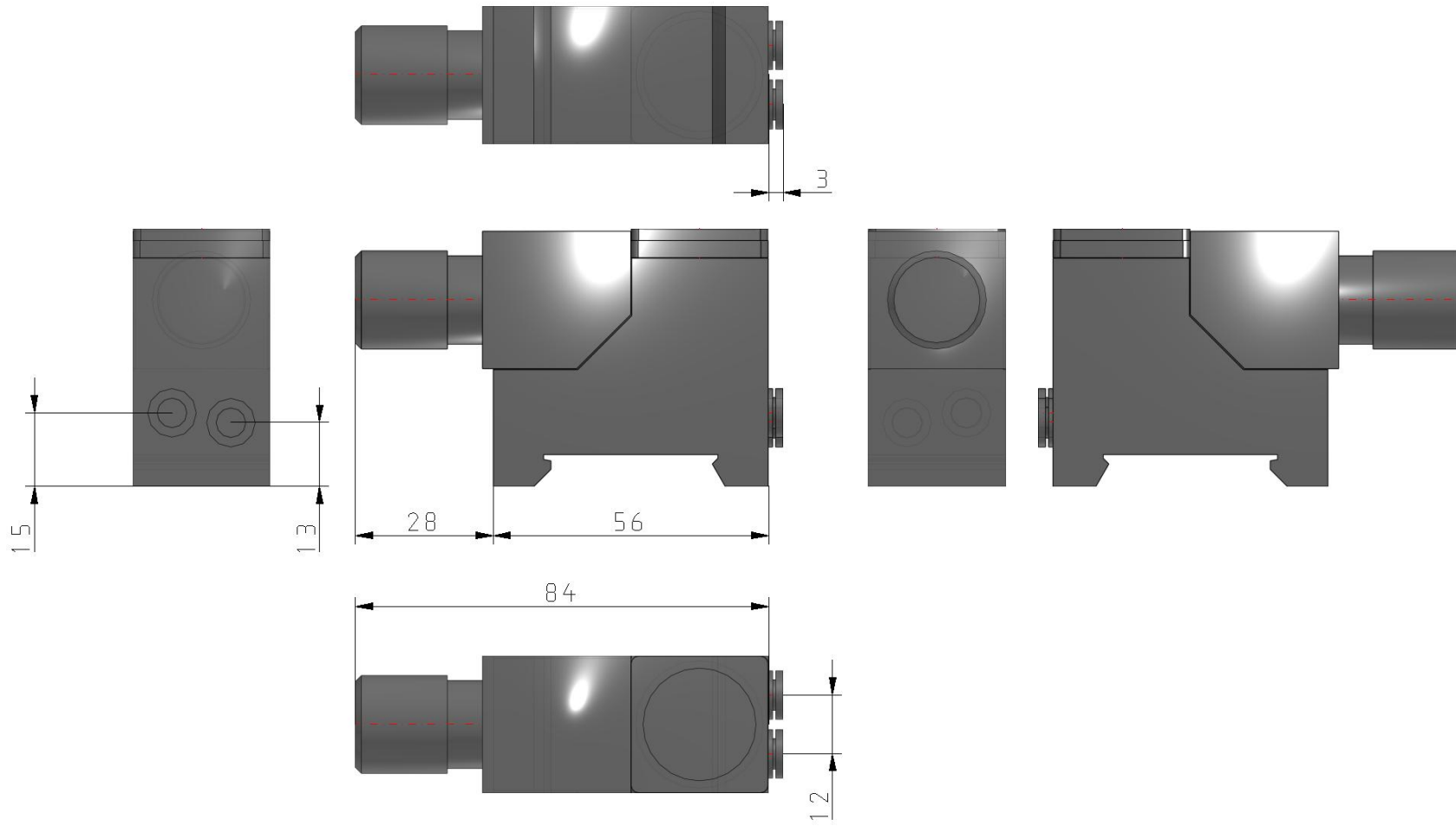
- Regulator block, individual supply type
- IN/OUT fittings: straight & elbow (metric & inch)
- IN/OUT piping: bottom, top
- Handle position: top, bottom, front
- Accessories: pressure gauge
- Options: 0.35MPa setting, non-relieving, oil free



Standard specifications

| | |
|---|--|
| Handle Position | A (Upper) |
| Piping | 1 (IN/OUT: Bottom) |
| Fitting | 08 (IN: Straight Ø6, OUT: Straight Ø6) |
| Accessory | A (Pressure Gauge) |
| Option | None |
| Unit | Name Plate, Pressure Gauge MPa |
| Digital Pressure Switch Output Specifications | None |
| Maximum temperature of pressure medium | 60 °C |
| Minimum temperature of pressure medium | -5 °C (with no freezing) |
| Maximum operating pressure | 1.0 MPa |
| Proof pressure | 1.5 MPa |
| Set pressure range | 0.05 - 0.7 MPa |
| Applicable fluid | Air |
| Regulator construction | Direct acting |
| Working principle | Piston type |
| Relief mechanism | Relieving type |
| Weight | 0.115 Kg |

Dimensions



Additional information

Catalogue

[ARM10-11_EU.pdf](#)

Operation manuals

[arm10_11_op_man_ar_-omg0039-a.pdf](#)