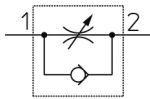


## Elbow - AS\*2\*1F AS2201F-01-06S

Datasheet

### General series information

- Port Size: M3, M5, 10-32 UNF, 1/8, 1/4, 3/8, 1/2
- Applicable Tubing O.D.: Ø 2 to Ø 12 mm and Ø 1/8" to Ø 1/2"
- Operating Pressure Range: 0.1 to 1 MPa.

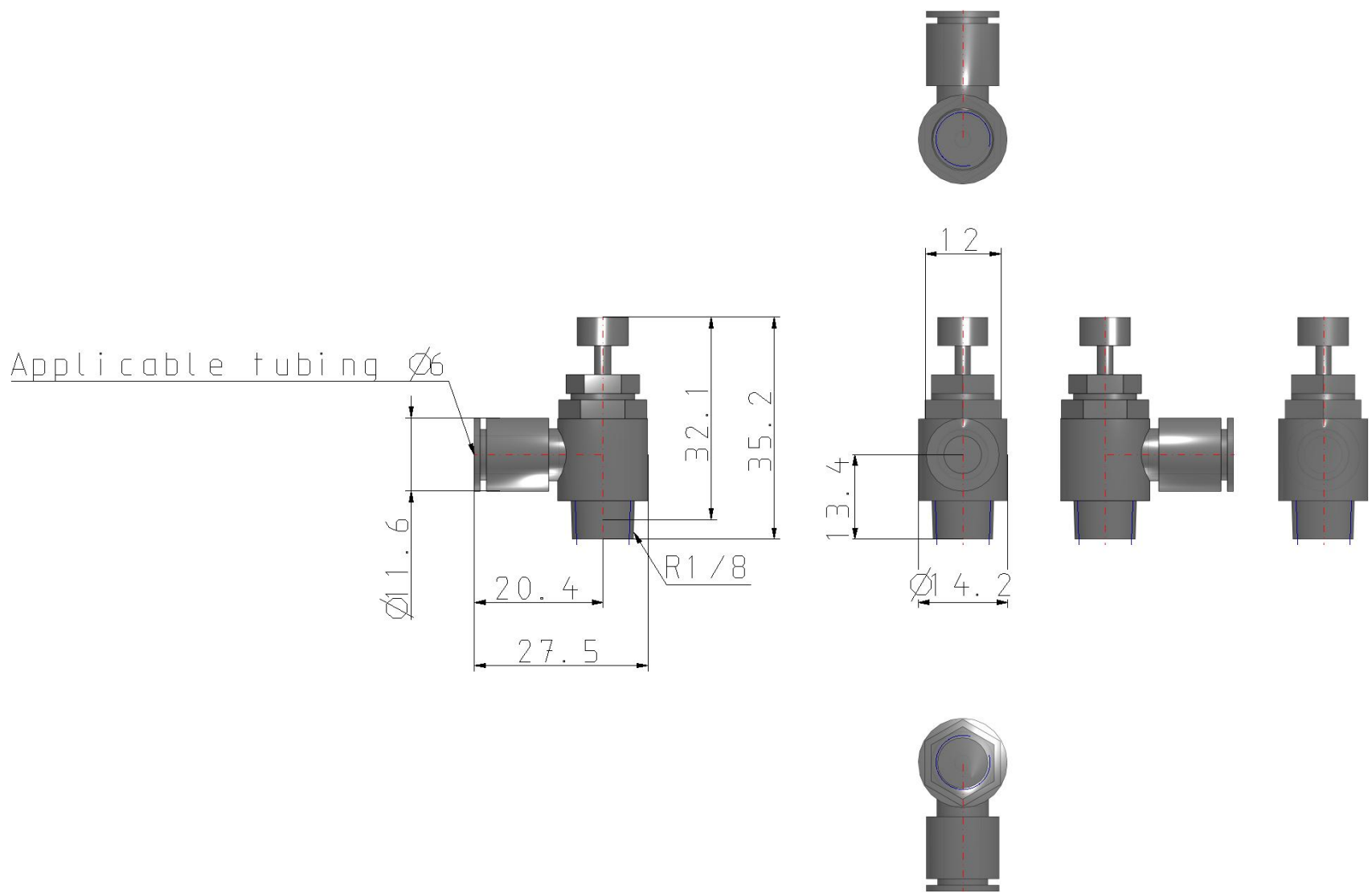


Flow control valve, adjustable, with reverse free flow

### Standard specifications

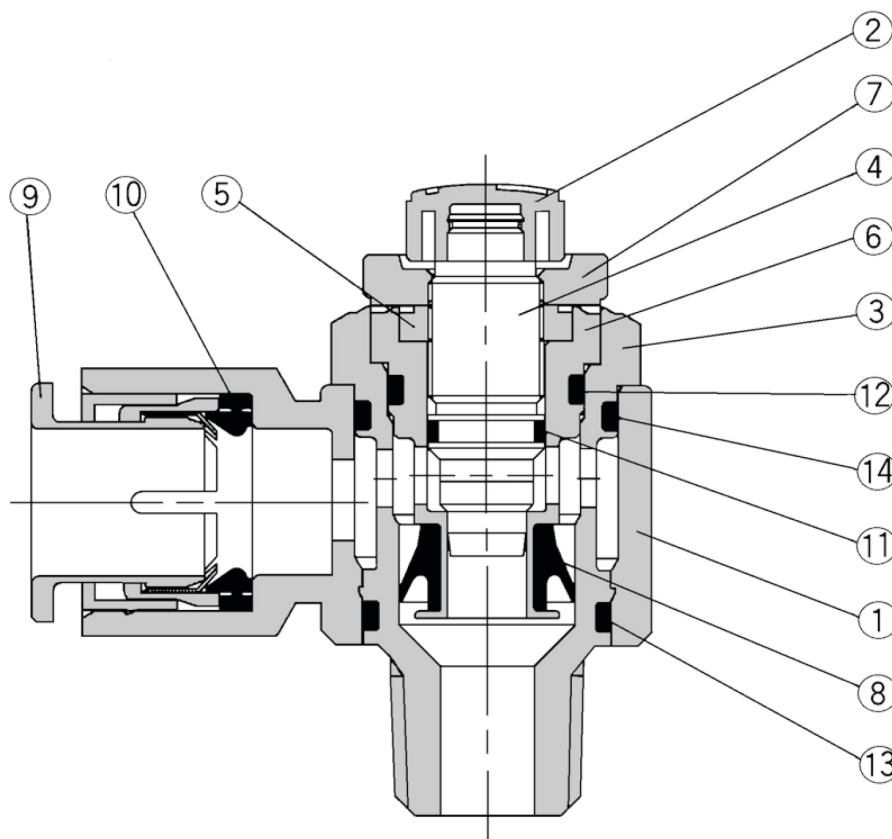
Size	22 (1/8, 1/4 Basis - elbow)
Control Method	0 (Meter-out)
Port Size and Tube Size	01-06 (Port Size R1/8 - Tube Size ø6)
Option	S (Sealant)
Fixed Orifice	None
Made to Order	None
Lock Nut	Standard (Hexagon)
Pressure medium	Air
Maximum operating pressure	1 MPa
Minimum operating pressure	0.1 MPa
Proof pressure	1.5 MPa
Maximum ambient temperature	60 °C
Minimum ambient temperature	-5 °C
Applicable tubing material	Nylon, Soft nylon, Polyurethane
Weight	0.016 Kg

# Dimensions



Specifications are subject to change without prior notice and any obligation on the part of the manufacturer.

## Constructions



## Component Parts

No.	Description	
①	Body A	PBT
②	Handle	PBT <sup>(1)</sup>
③	Body B	Brass <sup>(2)</sup>
④	Needle	Brass
⑤	Needle guide	Brass
⑥	Seat ring	Brass
⑦	Lock nut	Steel
⑧	U-packing	HNBR
⑨	Cassette	POM, Stainless steel
⑩	Packing	NBR
⑪	O ring	NBR
⑫	O ring	NBR
⑬	O ring	NBR
⑭	O ring	NBR

Note 1) AS12□1F-M3-02 and AS12□1F-M5-02 are made of electroless nickel plated brass.

Note 2) AS12□1F-M3: Stainless

Note 3) AS22□1F, AS32□1F-02: Electroless nickel plated

Note 4) Meter-in type: Black zinc chromated

## Additional information

Catalogue

[AS\\_2-3\\_1F-A\\_EU.pdf](#)

Operation manuals

[OM\\_ASx2x1F\\_OMG0107EN-B.pdf](#)