

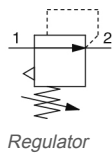
## ARM2500/3000, Modular Style, Regulator Manifold Series

### ARM2500-02A-02

Datasheet

### General series information

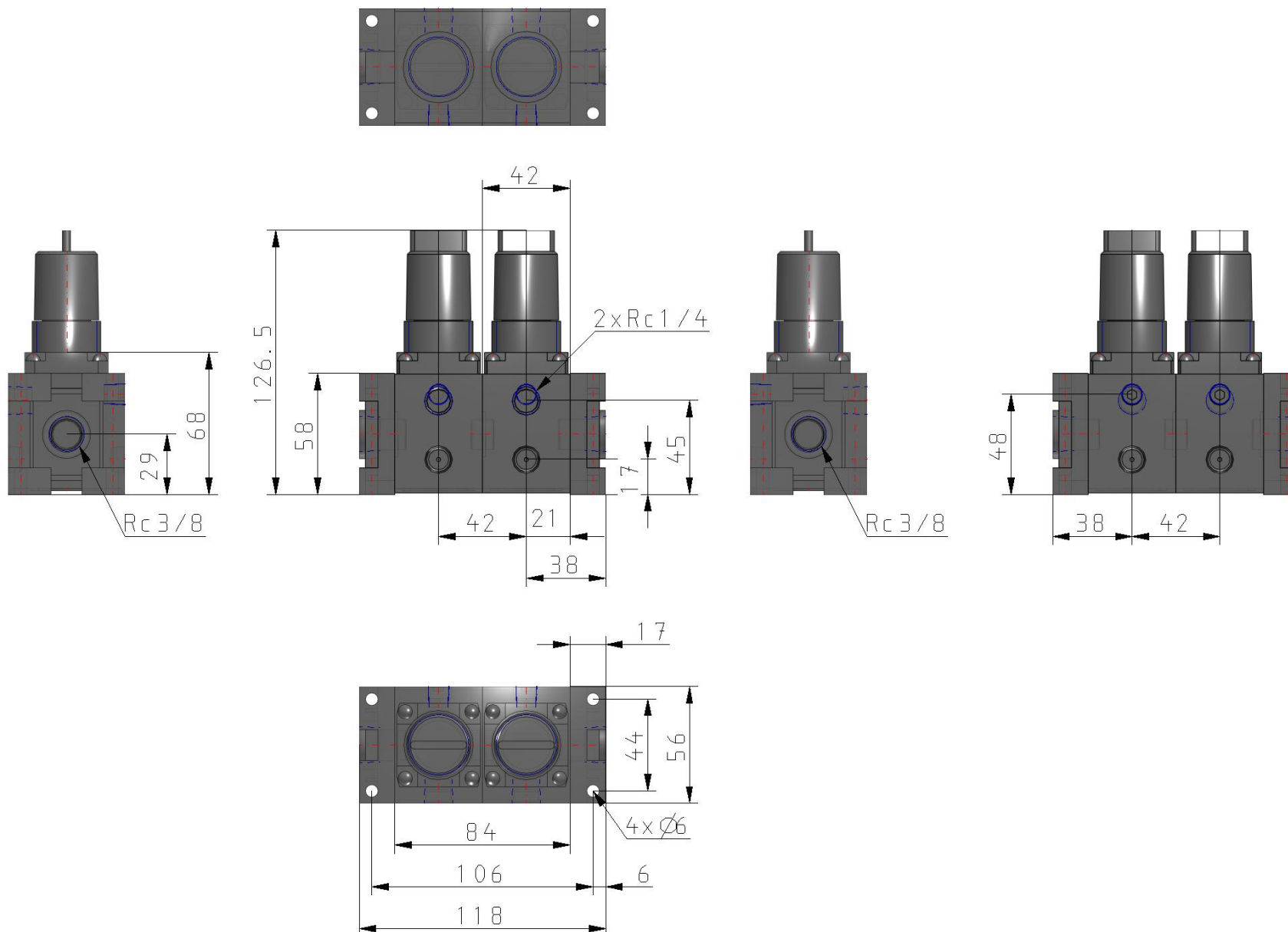
- Regulator manifold, modular type
- Metric type threads
- Optimal for central pressure control
- One-touch lock system
- Maximum operating pressure: 1.0MPa



### Standard specifications

Size	25 (Size 2500, Flow 750NI/min)
Stations	2 Stations
Piping Specification	A (IN: Common)
Thread	Rc(PT)
Port Size	02 (PT 1/4)
Accessory	None
Maximum temperature of pressure medium	60 °C
Minimum temperature of pressure medium	-5 °C (with no freezing)
Maximum operating pressure	0.8 MPa
Proof pressure	1.2 MPa
Set pressure range	0.05 - 0.7 MPa
Applicable fluid	Air
Relief mechanism	Relieving type
Weight	0.680 Kg

# Dimensions



## Additional information

Catalogue

[ARM\\_EU.pdf](#)

Operation manuals

[OM\\_ARM2500\\_3000\\_OMD0094EN.pdf](#)