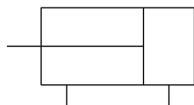


## MGQM (ø12 to ø32), Compact Guide Cylinder, Slide Bearing MGQM32-50

Datasheet

### General series information

- Compact guide cylinder
- Bore sizes: 12, 16, 20, 25, 32 (mm)
- Strokes from 10mm through 200mm depending upon bore size
- Variety of switches and a variety of lead wire lengths.



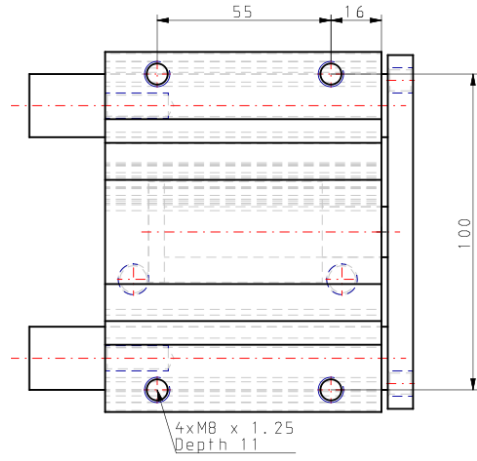
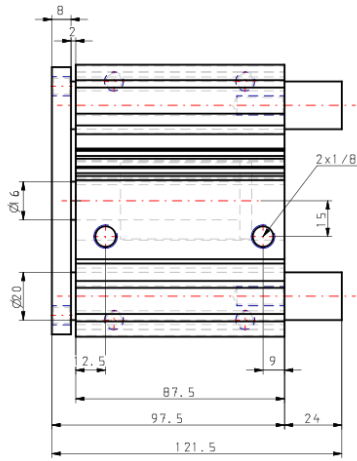
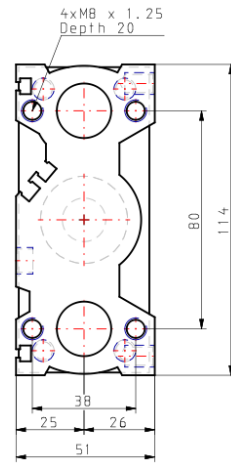
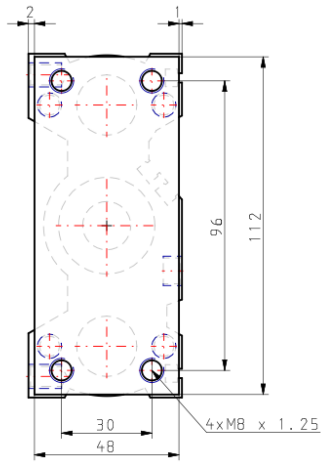
Double-acting, single-rod cylinder

### Standard specifications

Bore Size	32mm
Thread Type	Metric (Bore ø12 to ø16) & Rc(PT)
Stroke	50
Auto Switch	No Switch
Lead Wire or Prewired Connector	0.5m (Or None in the Case of No Switch)
Number	2 pcs. (Or None in the Case of No Switch)
Rod End Options	None
Temperature Resistance	None
Low Speed	None
Fluororubber Seal	None
Pressure medium	Air
Maximum temperature of pressure medium	60 °C
Minimum temperature of pressure medium	-10 °C (No freezing)
Maximum operating pressure	1.0 MPa
Minimum operating pressure	0.1 MPa
Proof pressure	1.5 MPa
Maximum ambient temperature	60 °C
Minimum ambient temperature	-10 °C (No freezing)
Number of pneumatic connections	2 pcs.

Pneumatic input connection	Rc 1/8
Mode of operation of drive	Double acting
Theoretical cylinder force, advance stroke (at 0.5 MPa)	402 N
Theoretical cylinder force, return stroke (at 0.5 MPa)	302 N
Maximum piston speed	500 mm/s
Type of cushioning	Rubber bumper on both ends
Minimum piston speed	50 mm/s
Non-rotating accuracy of plate	0.06
Lubrication	Non-lube
Weight	2.000 Kg

# Dimensions



## Additional information

Catalogue

[MGQ\\_EU.pdf](#)