

C(D)85, ISO Standard Cylinder, Double Acting, Single Rod C85N16-200

Datasheet

General series information

- Double acting, single rod, crimped cylinder
- Conforms to ISO 6432 and CETOP RP52P
- Bore sizes (mm): 8, 10, 12, 16, 20, 25
- Standard strokes up to 300mm
- Auto switch capable



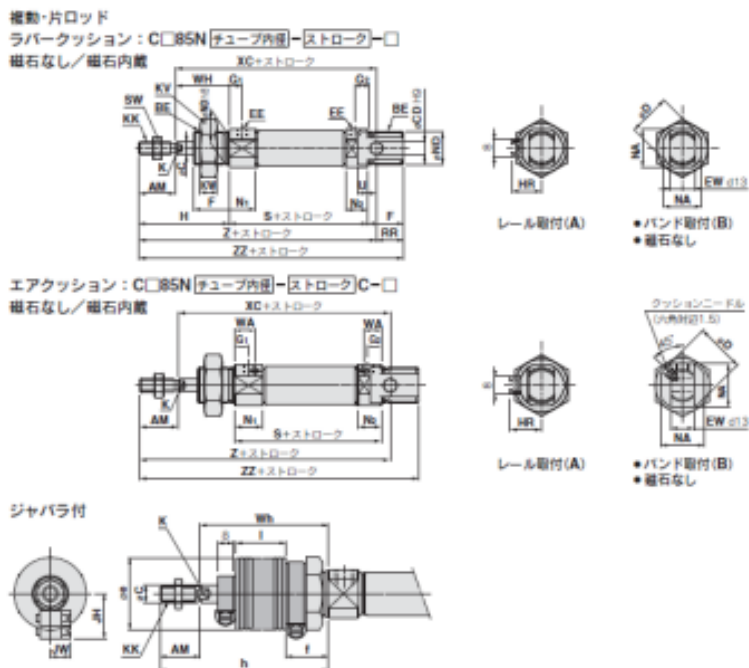
Double-acting, single-rod cylinder

Standard specifications

| | |
|--|---|
| Magnet | None |
| Mounting | N (Basic Integrated Clevis) |
| Bore Size | Ø16 mm |
| Stroke | 200 |
| Cushion | Rubber Cushion |
| Rod Boot | None |
| Auto Switch Mounting Type | None |
| Auto Switch | No Switch |
| Lead Wire or Prewired Connector | 0.5m (Or None in the Case of No Switch) |
| Number | 2 pcs. (Or None in the Case of No Switch) |
| Rod End Options | None |
| Temperature Resistance | None |
| Low Speed | None |
| Stainless Steel | None |
| Long Stroke | None |
| Pressure medium | Compressed Air |
| Maximum temperature of pressure medium | 80 °C |
| Maximum temperature of pressure medium with magnet | 60 °C |

| | |
|---|-------------------------------|
| Minimum temperature of pressure medium | -20 °C [without condensation] |
| Minimum temperature of pressure medium with magnet | -10 °C [without condensation] |
| Maximum operating pressure | 1 MPa |
| Minimum operating pressure | 0.05 MPa |
| Proof pressure | 1.5 MPa |
| Maximum ambient temperature | 80 °C |
| Maximum ambient temperature with magnet | 60 °C |
| Minimum ambient temperature | -20 °C |
| Minimum ambient temperature with magnet | -10 °C |
| Number of pneumatic connections | 2 pcs. |
| Pneumatic input connection | M5 |
| Pneumatic output connection | M5 |
| Mode of operation of drive | Double acting |
| Theoretical cylinder force, advance stroke (at 0.5 MPa) | 100.6 N |
| Theoretical cylinder force, return stroke (at 0.5 MPa) | 86.4 N |
| Maximum piston speed | 1,500 mm/s |
| Type of cushioning | Rubber bumper |
| Piston rod end | External thread |
| Geometric form of the piston rod | Single rod |
| Male thread of rod end | M6 |
| Usable tubing material | Soft nylon;Nylon;Polyurethane |
| Minimum piston speed | 50 mm/s |
| Weight | 0.253 Kg |

Dimensions



寸法表 (mm)

| シリーズ | AM | BE | C | CO | D | EE | EW | F | G1 | G2 | H | HR | K | KA | KK | KV | KN | N1 | N2 | NA | NC | NR | S | SW | U | WA | WH | XC | Z | ZZ |
|------|----|---------|-----|------|--------|----|----|---|----|----|------|----|------|---------|----|----|------|------|------|----|----|----|----|----|-----|----|-----|-----|-----|----|
| 8 | 12 | M2×1.25 | 4.4 | 16.1 | M5×0.8 | 8 | 12 | 7 | 5 | 25 | 10 | — | 4.2 | M4×0.7 | 19 | 6 | 11.5 | 9.5 | 15 | 12 | 10 | 46 | 7 | 6 | — | 18 | 64 | 76 | 86 | |
| 10 | 12 | M2×1.25 | 4.4 | 16.1 | M5×0.8 | 8 | 12 | 7 | 5 | 28 | 10.5 | — | 4.2 | M4×0.7 | 19 | 6 | 11.5 | 9.5 | 15 | 12 | 10 | 46 | 7 | 6 | — | 18 | 64 | 76 | 86 | |
| 12 | 16 | M16×1.5 | 6.6 | 19.7 | M5×0.8 | 12 | 17 | 8 | 6 | 38 | 14 | 5 | 6.2 | M5×1 | 24 | 8 | 15.2 | 13.2 | 18.2 | 16 | 14 | 50 | 10 | 9 | 9.5 | 27 | 115 | 131 | 150 | |
| 16 | 16 | M16×1.5 | 6.6 | 19.7 | M5×0.8 | 12 | 17 | 8 | 6 | 38 | 14 | 5 | 6.2 | M5×1 | 24 | 8 | 15.2 | 13.2 | 18.2 | 16 | 14 | 50 | 10 | 9 | 9.5 | 27 | 115 | 131 | 150 | |
| 20 | 20 | M22×1.5 | 8 | 28 | G 1/8 | 16 | 20 | 8 | 8 | 44 | 17 | 6 | 8.2 | M6×1.25 | 32 | 11 | 15 | 17 | 24 | 22 | 11 | 62 | 13 | 12 | 13 | 24 | 95 | 115 | 126 | |
| 25 | 25 | M22×1.5 | 8 | 28 | G 1/8 | 16 | 20 | 8 | 8 | 50 | 20 | 8 | 10.2 | M6×1.25 | 32 | 11 | 15 | 17 | 24 | 22 | 11 | 62 | 13 | 12 | 13 | 24 | 95 | 115 | 126 | |

()内はエアクッションの寸法。

ジャバラ付 (mm)

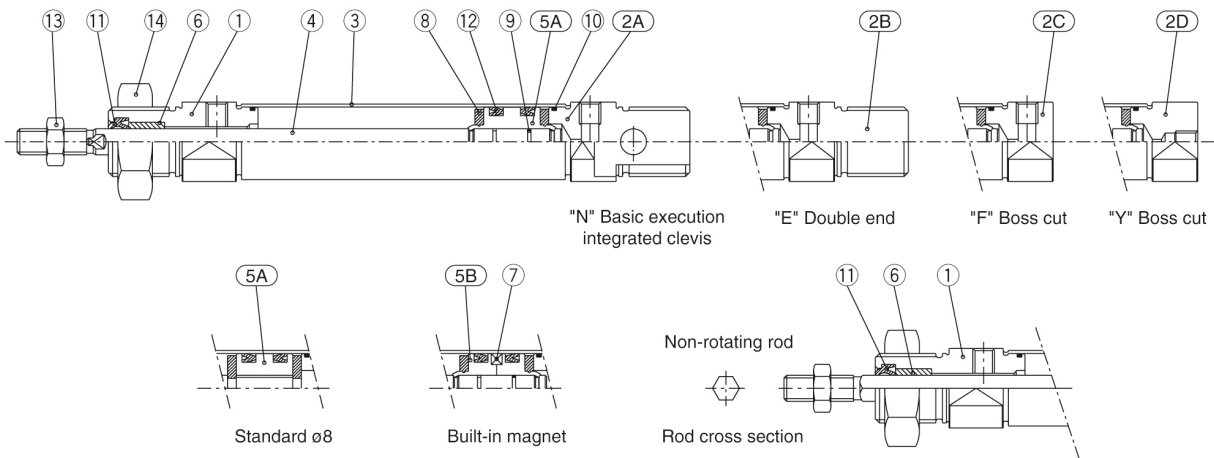
| シリーズ | AM | C | a | f | K | KK | h | | | | | | | | | | | | | | | | | | | | | | | |
|------|----|----|----|----|---|----------|------|--------|---------|---------|---------|---------|---------|---------|---------|---------|---|---|---|---|---|---|---|---|---|---|---|---|---|---|
| | | | | | | | 1-50 | 51-100 | 101-150 | 151-200 | 201-300 | 301-400 | 401-500 | 501-600 | 601-700 | 701-800 | | | | | | | | | | | | | | |
| 20 | 20 | 8 | 36 | 20 | 6 | M10×1.25 | 71 | 84 | 96 | 109 | 134 | 159 | — | — | — | — | — | — | — | — | — | — | — | — | — | — | — | — | — | — |
| 25 | 22 | 10 | 36 | 20 | 8 | M10×1.25 | 74 | 87 | 99 | 112 | 137 | 162 | — | — | — | — | — | — | — | — | — | — | — | — | — | — | — | — | — | — |

| シリーズ | AM | C | a | f | K | KK | JH | JW | Wh | | | | | | | | | | | | | | | | | | | | | |
|------|------|----|------|----|----|-----|-----|------|------|--------|---------|---------|---------|---------|---------|---------|---------|---------|---|---|---|---|---|---|---|---|---|---|---|---|
| | | | | | | | | | 1-50 | 51-100 | 101-150 | 151-200 | 201-300 | 301-400 | 401-500 | 501-600 | 601-700 | 701-800 | | | | | | | | | | | | |
| 20 | 12.5 | 25 | 37.5 | 50 | 75 | 100 | — | 22.5 | 10.5 | 5.1 | 64 | 76 | 89 | 114 | 139 | — | — | — | — | — | — | — | — | — | — | — | — | — | — | — |
| 25 | 12.5 | 25 | 37.5 | 50 | 75 | 100 | 125 | 23.5 | 10.5 | 5.2 | 65 | 77 | 90 | 115 | 140 | 165 | — | — | — | — | — | — | — | — | — | — | — | — | — | — |

Constructions

Double acting: Single rod

C□85□8 to16 Rubber bumper (Disassembly is not possible)



Component Parts

| No. | Description | Material | Quantity | Remarks |
|-----|---------------|-----------------|----------|-----------------------|
| ① | Rod cover | Aluminum alloy | 1 | White anodized |
| ②A | Head cover N | Aluminum alloy | 1 | White anodized |
| ②B | Head cover E | Aluminum alloy | 1 | White anodized |
| ②C | Head cover F | Aluminum alloy | 1 | White anodized |
| ②D | Head cover Y | Aluminum alloy | 1 | White anodized |
| ③ | Cylinder tube | Stainless steel | 1 | |
| ④ | Piston rod | Stainless steel | 1 | |
| ⑤A | Piston A | Brass | 1 | |
| ⑤B | Piston B | Brass | 2 | (Switch style piston) |

| No. | Description | Material | Quantity | Remarks |
|-----|---------------|-----------------|----------|----------------------|
| ⑥ | Bushing | Sintered bronze | 1 | |
| ⑦ | Magnet | | 1 | (Switch style only) |
| ⑧ | Bumper | Urethane | 2 | |
| ⑨ | Piston gasket | NBR | 1 | (2 for switch style) |
| ⑩ | Tube gasket | NBR | 2 | |
| ⑪ | Rod seal | NBR | 1 | |
| ⑫ | Piston seal | NBR | 2 | |
| ⑬ | Rod end nut | Carbon steel | 1 | Nickel plated |
| ⑭ | Mounting nut | Carbon steel | 1 | Nickel plated |

Additional information

Catalogue

[C85_C75-A_EU.pdf](#)