

AW20-D to AW60-D, Filter Regulator & Filter Regulator w/Backflow Function AW30-F03DG-D

Datasheet

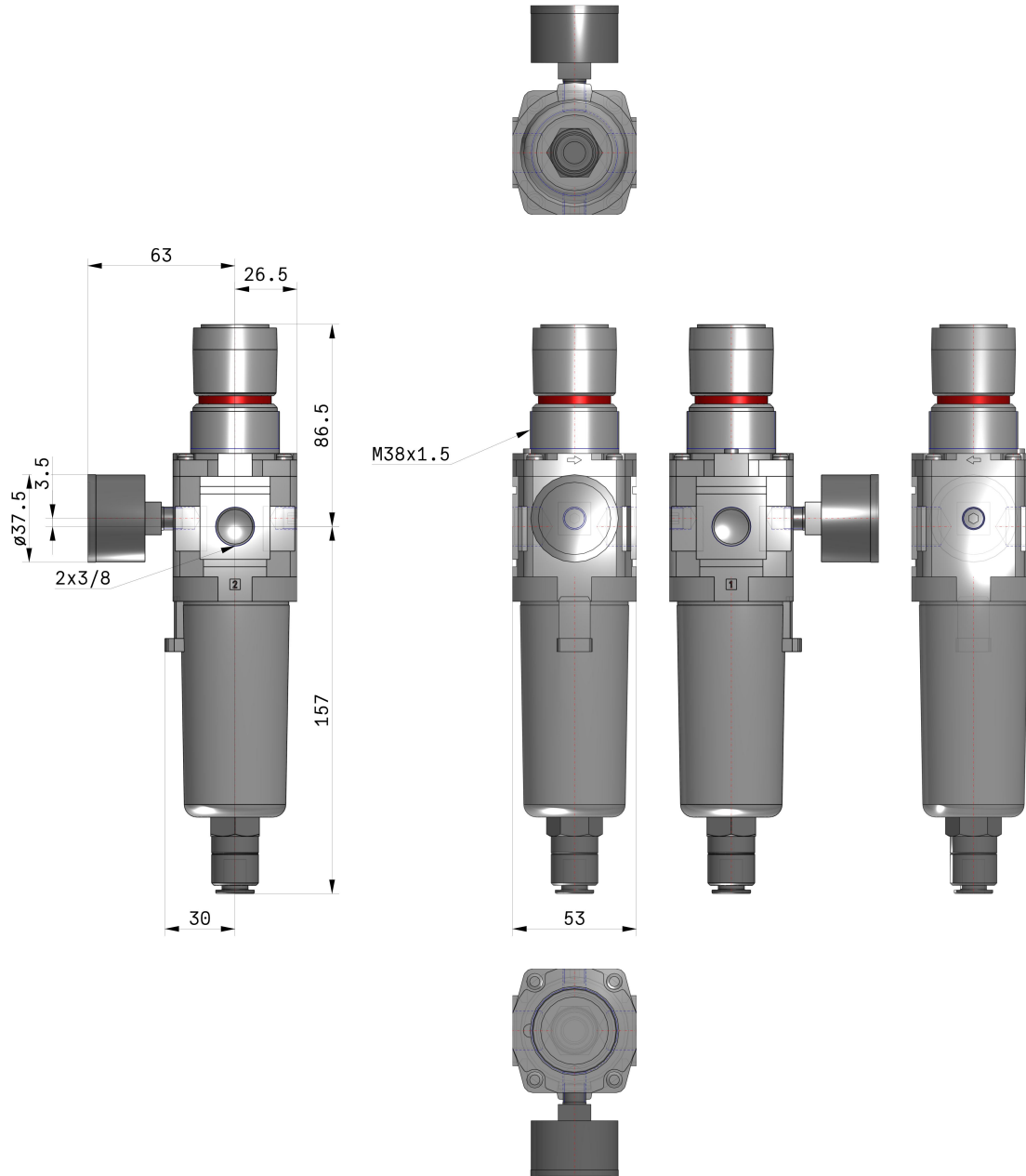
General series information

- ISO 8573-1:2010 compliant
- Maximum flow rate up to 17600 l/min (ANR, 0.7MPa).

Standard specifications

| | |
|----------------------------------------|----------------------------------------------------------------------------|
| Body Size | 30 |
| Backflow Function | None |
| Thread | F (G) |
| Port Size | 03 (3/8) |
| Options | DG (Float Type Auto Drain [N.O.] + Round Pressure Gauge w/Limit Indicator) |
| Set pressure | 0.05 to 0.85 MPa Setting |
| Bowl | Polycarbonate Bowl |
| Drain Guide | Standard |
| Exhaust Mechanism | Relieving |
| Flow Direction | Left to Right |
| Drain Cock w/Barb Fitting | None |
| Pressure Units | Standard (Name Plate, Caution Plate for Bowl, and Pressure Gauge: MPa) |
| Pressure medium | Air |
| Maximum temperature of pressure medium | 60 °C |
| Minimum temperature of pressure medium | -5 °C (with no freezing) |
| Maximum ambient temperature | 60 °C |
| Minimum ambient temperature | -5 °C (with no freezing) |
| Grade of filtration | 5 µm |
| Weight | 0.410 Kg |

Dimensions



Specifications are subject to change without prior notice and any obligation on the part of the manufacturer.

Additional information

Catalogue

[ACD-D_EU.pdf](#)

Operation manuals

[OM_AW20-60-D_OMX0057EN-B.pdf](#)