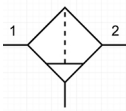


AF20-D to AF60-D, Air Filter AF40-F04-D

Datasheet

General series information

- ISO 8573-1:2010 compliant
- Nominal filtration rating 5 µm
- Maximum flow rate up to 12500 l/min (ANR, 0.7MPa).



Filter with drain

Standard specifications

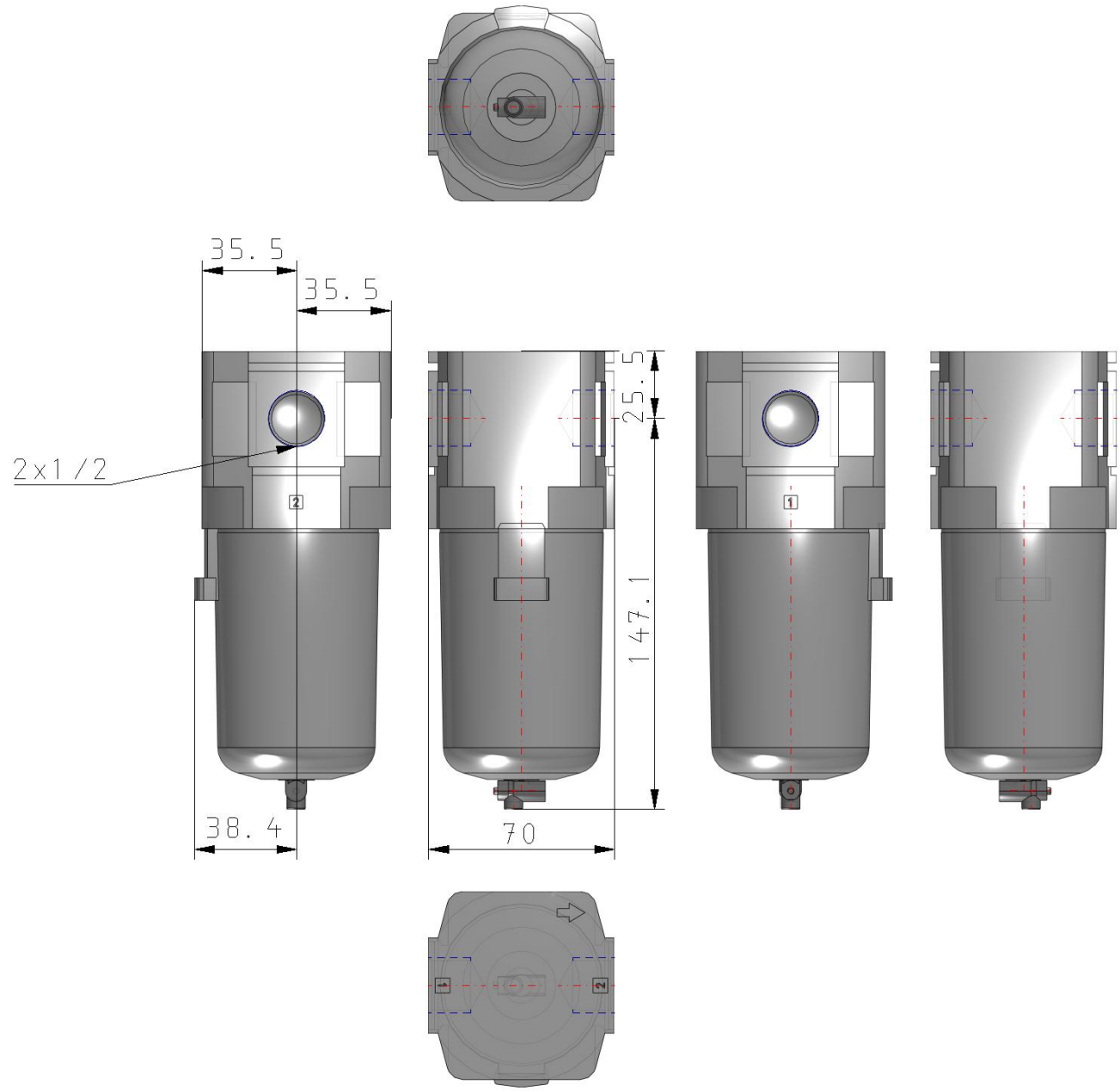
Body Size	40
Thread	F (G)
Port Size	04 (1/2)
Mounting	Standard
Float Type Auto Drain	Without Auto Drain
Bowl Type	Standard (Polycarbonate Bowl)
Drain Port	Standard
Flow Direction	Left to Right
Drain Cock w/Barb Fitting	None
Pressure Unit	Name Plate and Pressure Gauge: MPa
Air purity class	[6:8:4]
Pressure medium	Air
Maximum temperature of pressure medium	60 °C
Minimum temperature of pressure medium	-5 °C (with no freezing)
Maximum operating pressure	1.0 MPa
Minimum operating pressure	0.05 MPa
Proof pressure	1.5 MPa
Maximum ambient temperature	60 °C
Minimum ambient temperature	-5 °C (with no freezing)
Conform to the European RoHS Directive	Conform

Specifications are subject to change without prior notice and any obligation on the part of the manufacturer.

Bowl Material	Polycarbonate
Bowl Guard	Polycarbonate
Drain Capacity	45 cm ³
Element nominal filtration rating	5 µm
ISO 8573 compliant	Yes
Max. Flow rate (inlet pressure = 1.0 MPa)	6000 l/min
Weight	0.338 Kg

Specifications are subject to change without prior notice and any obligation on the part of the manufacturer.

Dimensions



Specifications are subject to change without prior notice and any obligation on the part of the manufacturer.

Additional information

Catalogue

[ACD-C_EU.pdf](#)

Operation manuals

[OM_AF20-60-D_OMX0052EN-D.pdf](#)