

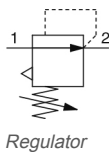
ARM11B, Regulator Block, Individual Supply Type

ARM11BB1-R08-A

Datasheet

General series information

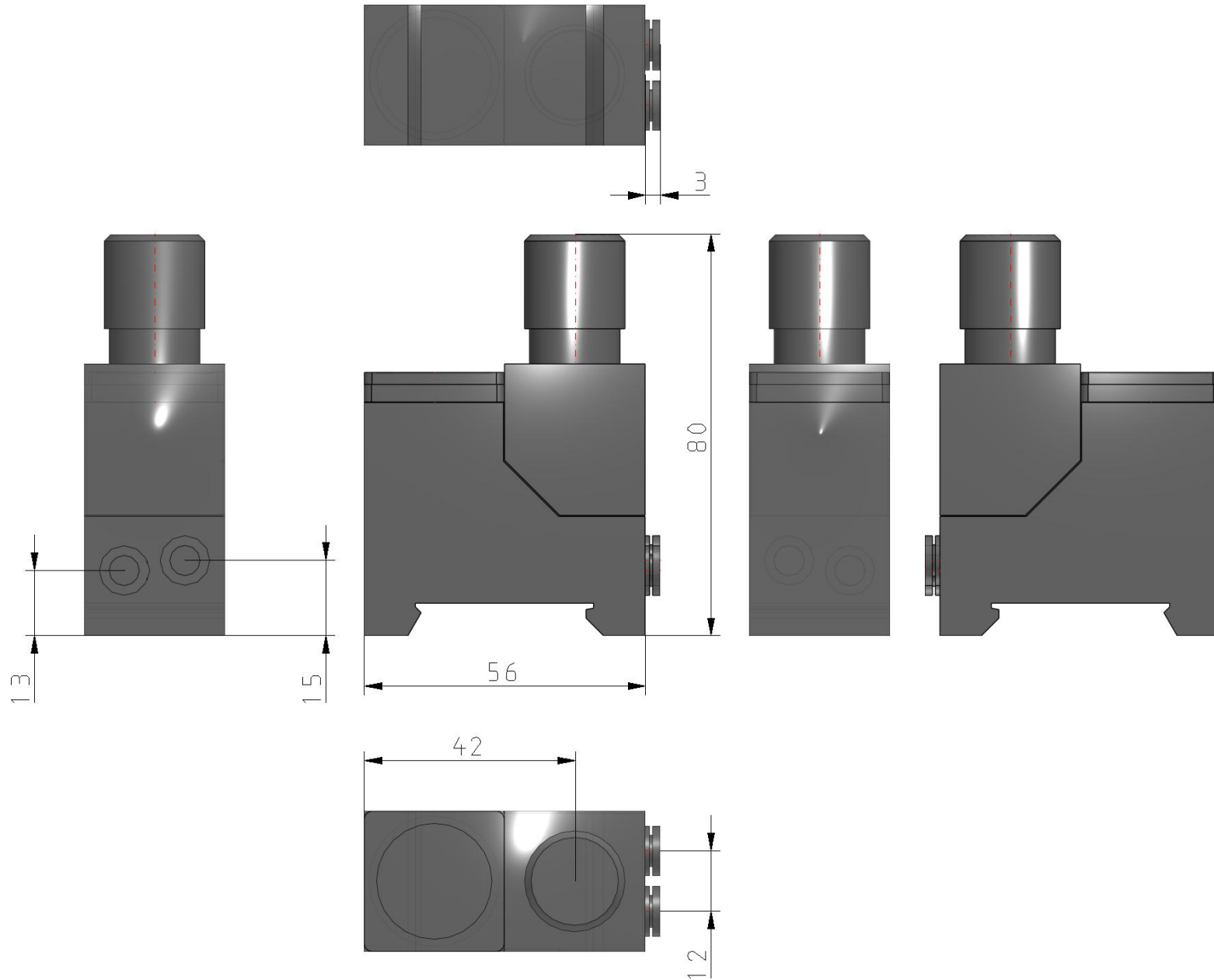
- Regulator block, individual supply type
- IN/OUT fittings: straight & elbow (metric & inch)
- IN/OUT piping: bottom, top
- Handle position: top, bottom, front
- Accessories: pressure gauge
- Options: 0.35MPa setting, non-relieving, oil free



Standard specifications

Handle Position	B (Front)
Piping	1 (IN/OUT: Bottom)
Fitting	08 (IN: Straight Ø6, OUT: Straight Ø6)
Accessory	A (Pressure Gauge)
Option	None
Unit	Name Plate, Pressure Gauge MPa
Digital Pressure Switch Output Specifications	None
Maximum temperature of pressure medium	60 °C
Minimum temperature of pressure medium	-5 °C (with no freezing)
Maximum operating pressure	1.0 MPa
Proof pressure	1.5 MPa
Set pressure range	0.05 - 0.7 MPa
Applicable fluid	Air
Regulator construction	Direct acting
Working principle	Piston type
Relief mechanism	Relieving type
Weight	0.142 Kg

Dimensions



Additional information

Catalogue	ARM10-11_EU.pdf
Operation manuals	arm10_11_op_man_ar_-omg0039-a.pdf