

A90/A93/A96, Reed Switch, Direct Mounting, Grommet, In-line D-A93Z

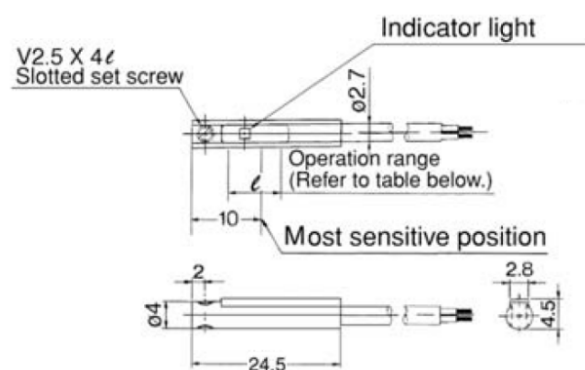
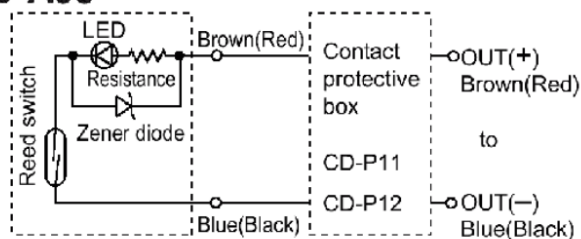
Datasheet

SMC offers a variety of auto switches for actuators and air grippers.; Reed switches are available in a general purpose type or with 2-colour indication, which allows the optimum operating position to be determined by the colour of the light. Magnetic field resistant, heat resistant and wide range detection configurations.; Various lead wire lengths are available.

Model	A93 (DC Volt <24, AC Volt <100, LED)
Lead Wire Length	Z (5 m)
Conform to the European RoHS Directive	Conform
Approvals	CE
Electrical entry direction	In-line
Applicable load	Relay, PLC
Internal resistance	1 Ω
Load voltage	24 VDC (40 mA), 100 VAC (20 mA)
Load current	40 mA (24 VDC), 20 mA (100 VAC)
Internal voltage drop	≤ 2.4 V (up to 20 mA), ≤ 3 V (up to 40 mA)
Weight	0.011 Kg

Dimensions

D-A93



Additional information

Catalogue

[D_EU.pdf](#)