

CXSM, Dual Piston Rods, Slide Bearing CXSM10-70

Datasheet

Series CXS is available in six bore sizes and stroke lengths up to 100mm. This series is very compact and has a very accurate non-rotating specification. It is suited for accurate pick-and-place applications or light duty material handling. The CXS can be used with either reed or solid state switches. Available in clean room versions.



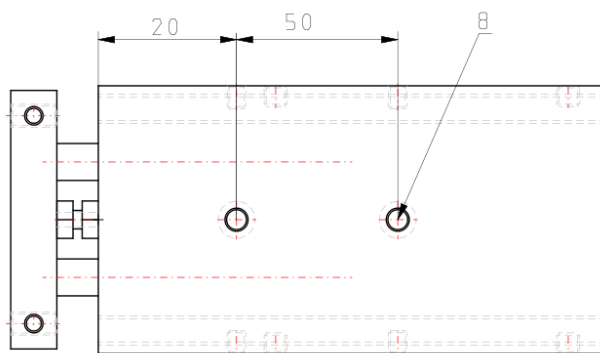
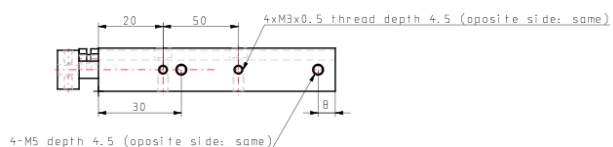
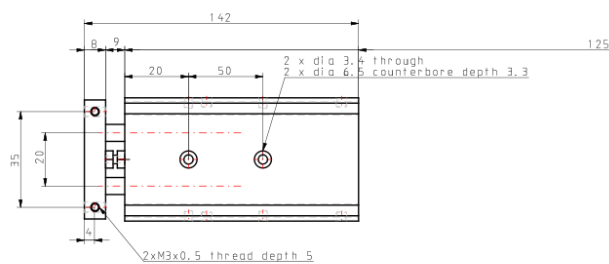
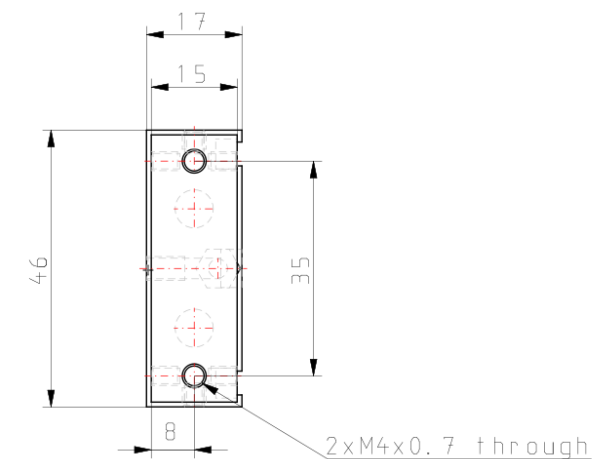
Double-acting, single-rod cylinder

Standard specifications

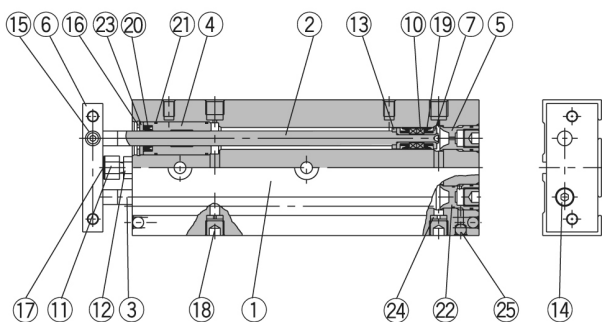
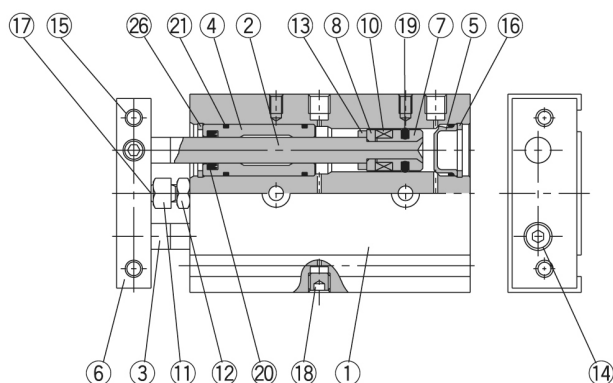
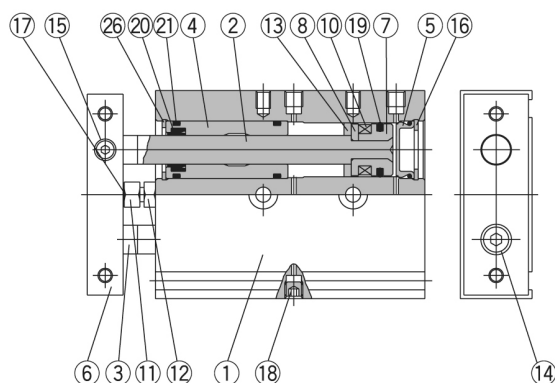
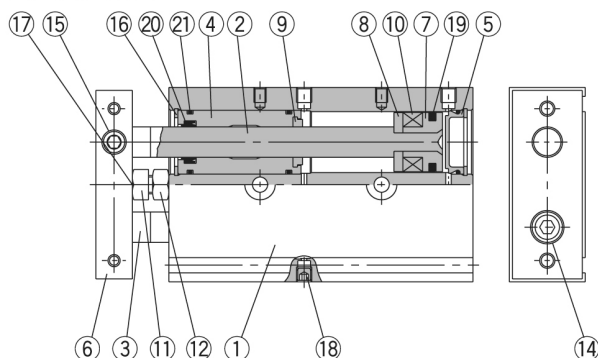
Thread port	M5 (Rc (PT) for sizes 25 to 32)
Bore Size	10mm
Lube-retainer	Without Stable Lubrication Function
Stroke	70mm
Auto Switch	No Switch
Lead Wire or Prewired Connector	0.5m [Or None in the Case of No Switch]
Number	2 pcs. [Or None in the Case of No Switch]
Pressure medium	Compressed Air
Maximum temperature of pressure medium with magnet	60 °C
Minimum temperature of pressure medium with magnet	-10 °C [without condensation]
Maximum operating pressure	0.70 MPa
Minimum operating pressure	0.01 MPa
Proof pressure	1.05 MPa
Maximum ambient temperature with magnet	60 °C
Minimum ambient temperature with magnet	-10 °C
Numero of pneumatic connections	2 pcs.
Pneumatic input connection	M5 x 0.8
Pneumatic output connection	M5 x 0.8
Mode of operation of drive	Double acting
Theoretical cylinder force, advance stroke (at 0.5 MPa)	78 N
Theoretical cylinder force, return stroke (at 0.5 MPa)	50 N

Maximum piston speed	800 mm/s
Type of cushioning	Rubber bumper
Maximum stroke reduction per side	5 mm
Tolerance of torsion	0.2°
Weight	0.270 Kg

Dimensions



Constructions

CXSM6

CXSM10

CXSM15

CXSM20 to 32

Parts list

No.	Description	Material	Note
1	Housing	Aluminum alloy	Hard anodized
2	Piston rod A	Carbon steel <small>Note 1)</small>	Hard chrome plated
3	Piston rod B	Carbon steel <small>Note 1)</small>	Hard chrome plated
4	Rod cover/Bearing	Aluminum alloy	
5	Head cover	Special steel <small>Note 2)</small>	
6	Plate	Aluminum alloy	Hard anodized
7	Piston A	Aluminum alloy	Chromated
8	Piston B	Aluminum alloy	Chromated
9	Bumper A	Polyurethane	
10	Magnet	Magnetic material	
11	Bumper bolt	Carbon steel	Nickel plated
12	Hexagon nut	Carbon steel	Nickel plated
13	Bumper B	Polyurethane	
14	Hexagon socket head cap screw	Chromium steel	Nickel plated
15	Hexagon socket head set screw	Chromium steel	Nickel plated
16	Snap ring	Special steel	Nickel plated



Note 1) Stainless steel for CXSM6.

Note 2) Anodized aluminum alloy for CXSM6.

Parts list

No.	Description	Material	Note
17	Bumper	Polyurethane	
18	Plug	Chromium steel	Nickel plated
19	Piston seal	NBR	
20	Rod seal	NBR	
21	O-ring	NBR	
22	Head cover B	Aluminum alloy	Nickel plated
23	Seal retainer	Aluminum alloy	
24	Port spacer	Aluminum alloy	
25	Steel ball	Special steel	Hard chrome plated
26	Snap ring B	Special steel	Nickel plated

Additional information

Catalogue

[CXS_EU.pdf](#)