

C(D)85, ISO Standard Cylinder, Double Acting, Single Rod CD85N25-320C-B-X2018

Datasheet

General series information

- Double acting, single rod, crimped cylinder
- Conforms to ISO 6432 and CETOP RP52P
- Bore sizes (mm): 8, 10, 12, 16, 20, 25
- Standard strokes up to 300mm
- Auto switch capable



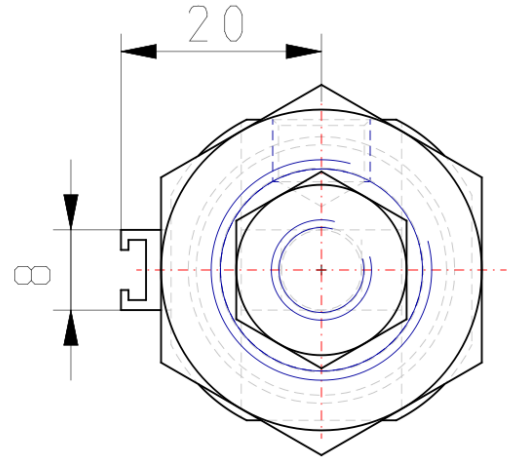
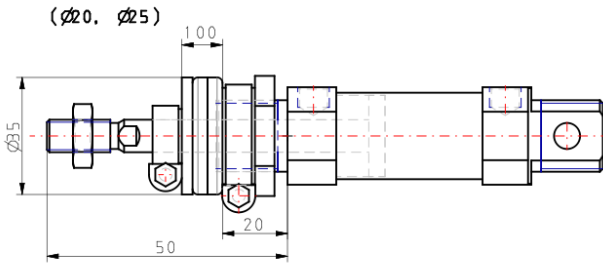
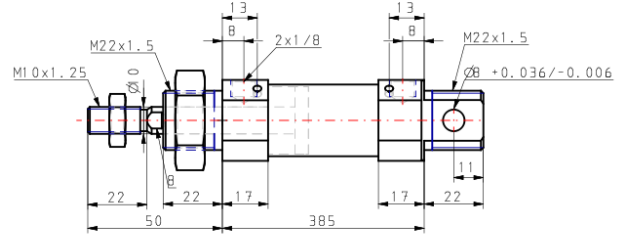
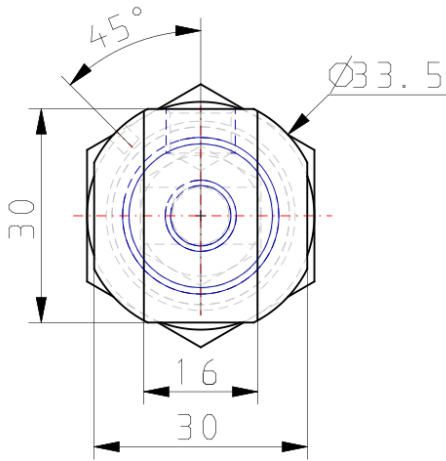
Double-acting cylinder with cushioning adjustable at both ends, single piston rod

Standard specifications

| | |
|--|---|
| Magnet | D (Built-in) |
| Mounting | N (Basic Integrated Clevis) |
| Bore Size | Ø25 mm |
| Stroke | 320 |
| Cushion | C (Air Cushion) |
| Rod Boot | None |
| Auto Switch Mounting Type | B (Band) |
| Auto Switch | No Switch |
| Lead Wire or Prewired Connector | 0.5m (Or None in the Case of No Switch) |
| Number | 2 pcs. (Or None in the Case of No Switch) |
| Rod End Options | None |
| Temperature Resistance | None |
| Low Speed | None |
| Stainless Steel | None |
| Long Stroke | X2018 (Long Stroke) |
| Pressure medium | Compressed Air |
| Maximum temperature of pressure medium | 80 °C |
| Maximum temperature of pressure medium with magnet | 60 °C |

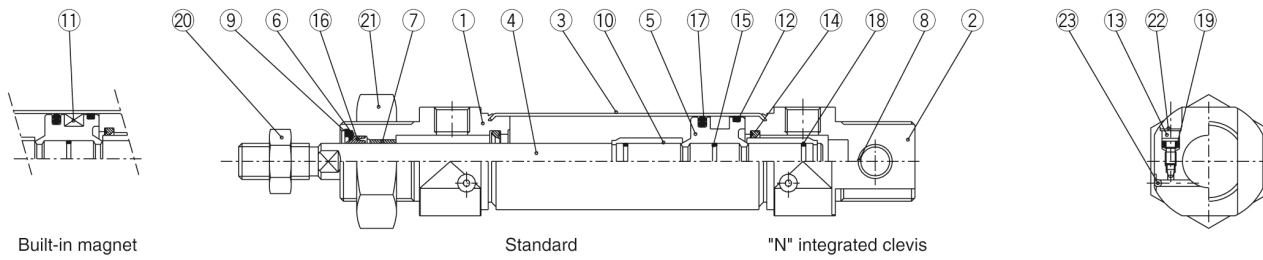
| | |
|---|-------------------------------|
| Minimum temperature of pressure medium | -20 °C [without condensation] |
| Minimum temperature of pressure medium with magnet | -10 °C [without condensation] |
| Maximum operating pressure | 1 MPa |
| Minimum operating pressure | 0.05 MPa |
| Proof pressure | 1.5 MPa |
| Maximum ambient temperature | 80 °C |
| Maximum ambient temperature with magnet | 60 °C |
| Minimum ambient temperature | -20 °C |
| Minimum ambient temperature with magnet | -10 °C |
| Number of pneumatic connections | 2 pcs. |
| Pneumatic input connection | G 1/8 |
| Pneumatic output connection | G 1/8 |
| Mode of operation of drive | Double acting |
| Theoretical cylinder force, advance stroke (at 0.5 MPa) | 245.5 N |
| Theoretical cylinder force, return stroke (at 0.5 MPa) | 206.2 N |
| Maximum piston speed | 1,500 mm/s |
| Type of cushioning | Air cushion |
| Piston rod end | External thread |
| Geometric form of the piston rod | Single rod |
| Male thread of rod end | M10 x 1.25 |
| Usable tubing material | Soft nylon;Nylon;Polyurethane |
| Minimum piston speed | 50 mm/s |
| Weight | 0.875 Kg |

Dimensions



Constructions

C□85□20, 25 Air cushion



Component Parts

| No. | Description | Material | Quantity | Remarks |
|-----|----------------|-----------------|----------|--------------------|
| ① | Rod cover | Aluminum alloy | 1 | White anodized |
| ② | Head cover N | Aluminum alloy | 1 | White anodized |
| ③ | Cylinder tube | Stainless steel | 1 | |
| ④ | Piston rod | Carbon steel | 1 | Hard chrome plated |
| ⑤ | Piston | Aluminum alloy | 1 | Chromated |
| ⑥ | Plain washer | Carbon steel | 1 | Nickel plated |
| ⑦ | Bushing | Sintered bronze | 1 | |
| ⑧ | Bushing | Sintered bronze | 1 | |
| ⑨ | Retaining ring | Carbon steel | 1 | Nickel plated |
| ⑩ | Cushion ring | Copper alloy | 2 | Hard chrome plated |
| ⑪ | Magnet | | 1 | |
| ⑫ | Wear ring | Phenolic resin | 1 | |

| No. | Description | Material | Quantity | Remarks |
|-----|-----------------------|-----------------|----------|---------------|
| ⑬ | Cushion valve | Carbon steel | 2 | Nickel plated |
| ⑭ | Cushion seal | Urethane | 2 | |
| ⑮ | Piston gasket | NBR | 1 | |
| ⑯ | Rod seal | NBR | 1 | |
| ⑰ | Piston seal | NBR | 1 | |
| ⑱ | Cushion ring gasket | NBR | 2 | |
| ⑲ | Cushion valve packing | NBR | 2 | |
| ⑳ | Rod end nut | Carbon steel | 1 | Nickel plated |
| ㉑ | Mounting nut | Carbon steel | 1 | Nickel plated |
| ㉒ | Self locking ring | Stainless steel | 2 | |
| ㉓ | Steel ball | Stainless steel | 2 | |

Additional information

Catalogue

[C85_C75-A_EU.pdf](#)