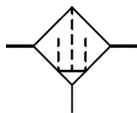


AFM20-D to AFM40-D, Mist Separator AFM30-F03-D

Datasheet

General series information

- ISO 8573-1:2010 compliant
- Nominal filtration rating 0.3 µm
- Maximum flow rate up to 1100 l/min (ANR, 0.7MPa).



Mist separator

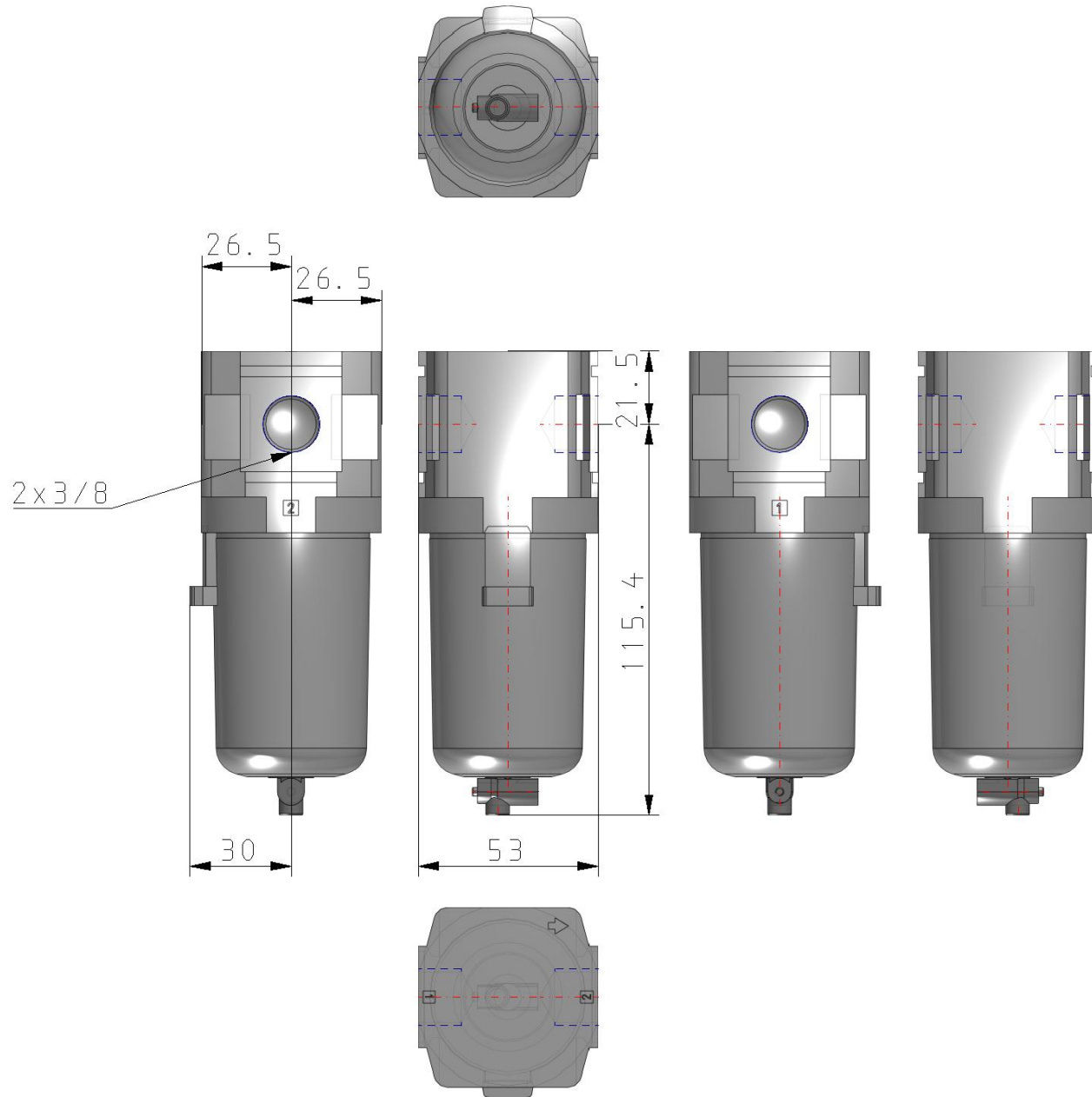
Standard specifications

Body Size	30
Thread	F (G)
Port Size	03 (3/8)
Mounting	w/o Mounting Option
Float type auto drain	Without Auto drain
Bowl type	Polycarbonate Bowl
Drain Port	Standard
Indicator	w/o Indicator
Flow Direction	Left to Right
Drain Cock w/Barb Fitting	None
Pressure Unit	Name Plate and Pressure Gauge: MPa
Air purity class	[3:7:3]
Pressure medium	Air
Maximum temperature of pressure medium	60 °C
Minimum temperature of pressure medium	-5 °C (with no freezing)
Maximum operating pressure	1.0 MPa
Proof pressure	1.5 MPa
Maximum ambient temperature	60 °C
Minimum ambient temperature	-5 °C (with no freezing)
Conform to the European RoHS Directive	Conform

Approvals	No need
Bowl Material	Polycarbonate
Bowl Guard	Polycarbonate
Drain Capacity	25 cm ³
Element nominal filtration rating	0.3 μm
ISO 8573 compliant	Yes
Max. Flow rate (inlet pressure = 1.0 MPa)	638 l/min
Weight	0.182 Kg

Specifications are subject to change without prior notice and any obligation on the part of the manufacturer.

Dimensions



Additional information

Catalogue

[ACD-D_EU.pdf](#)

Operation manuals

[OM_AFM20-60-D_OMX0053EN-C.pdf](#)